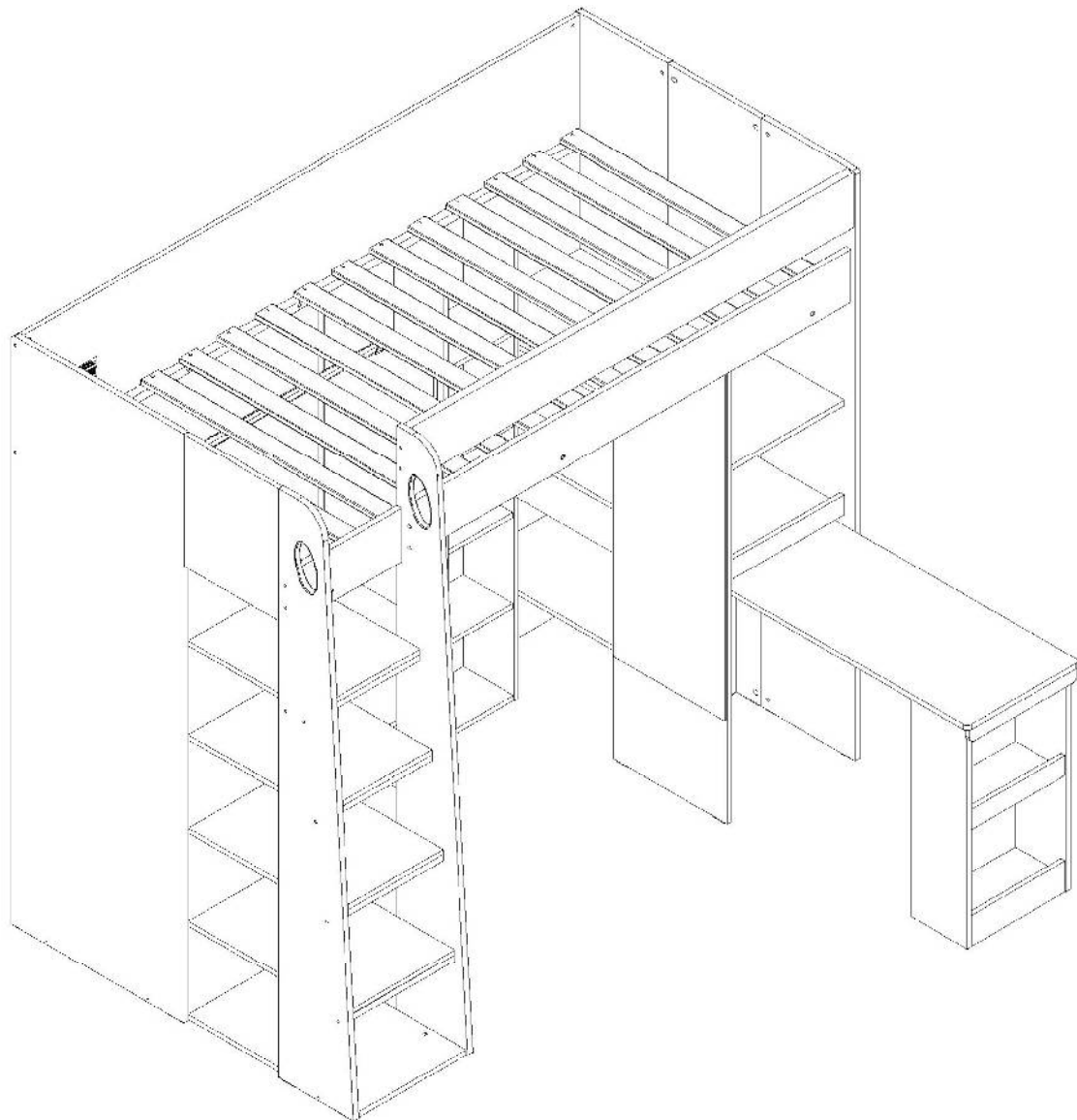
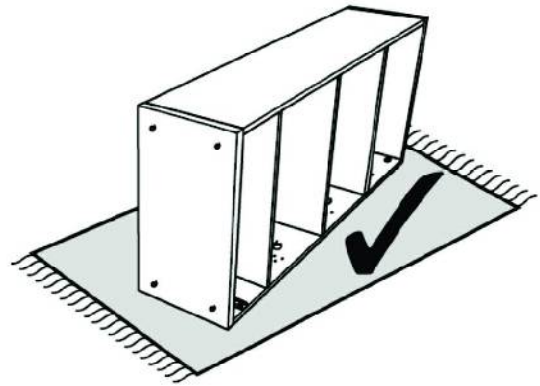
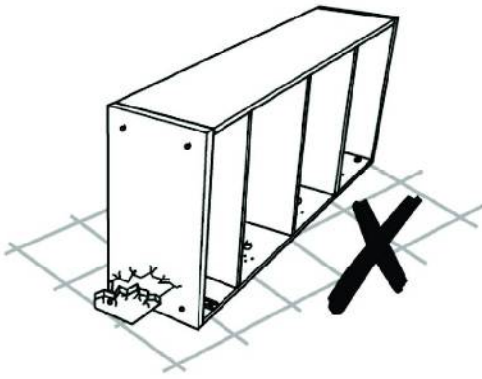
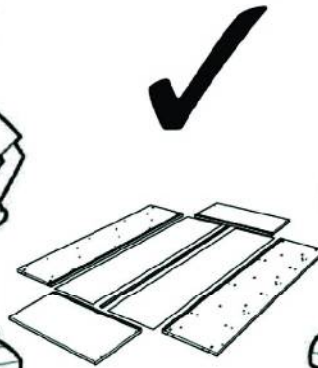
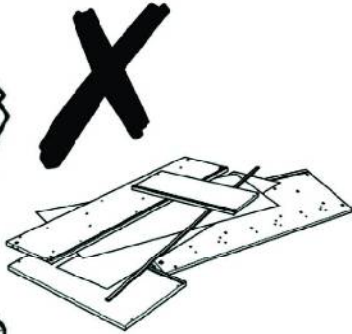
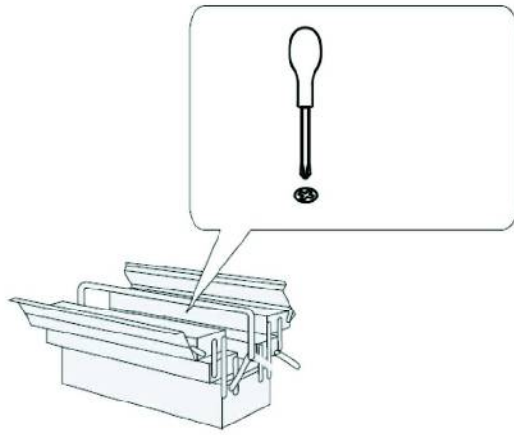


**IMPORTANT - READ CAREFULLY - RETAIN  
FOR FUTURE REFERENCE**

# **Aurora High Sleeper**

## **Assembly Instructions**





**Customer Service**  
**(01623 727374)**

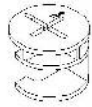
# HARDWARE

A



Cam Stud  
100PCS

B



Cam  
110PCS

C



Contractfix Dowel  
10PCS

D



M8 x 25mm  
179PCS

E



M5 x 40mm  
4PCS

F



M5 x 40mm  
9PCS

G



M4 x 38mm  
8PCS

H



M3.5 x 14mm  
38PCS

P



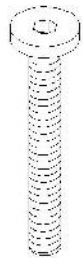
M6 x 13mm  
20PCS

Q



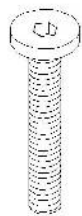
M6 Round Nut  
6PCS

R



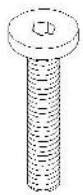
M6 x 50mm  
16PCS

S



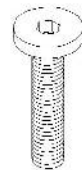
M6 x 40mm  
10PCS

T



M6 x 35mm  
10PCS

U



M6 x 30mm  
30PCS

V



M6 x 25mm  
6PCS

W



M6 x 12mm  
1PCS

X



M6  
6PCS

Z2



Sticker  
20PCS

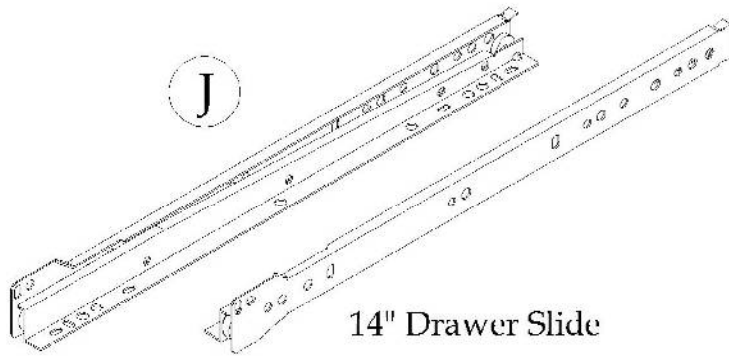
Z3



Hole Plug 10mm  
2PCS

# HARDWARE

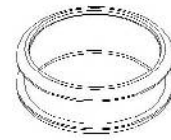
J



14" Drawer Slide

2 SET

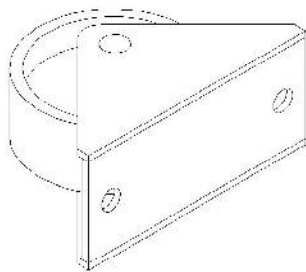
N



Circle Stopper

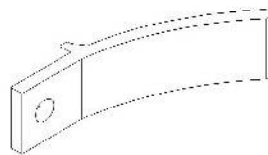
1PCS

K



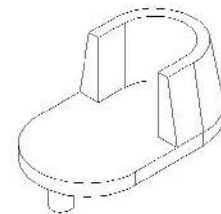
Castor  
4PCS

L



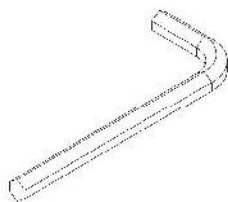
Stopper  
2PCS

M



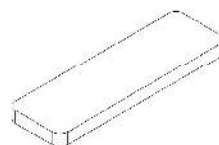
PVC Hook  
2PCS

Y



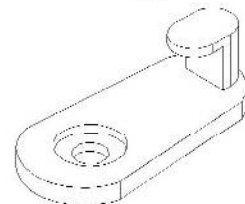
M4  
2PCS

Z



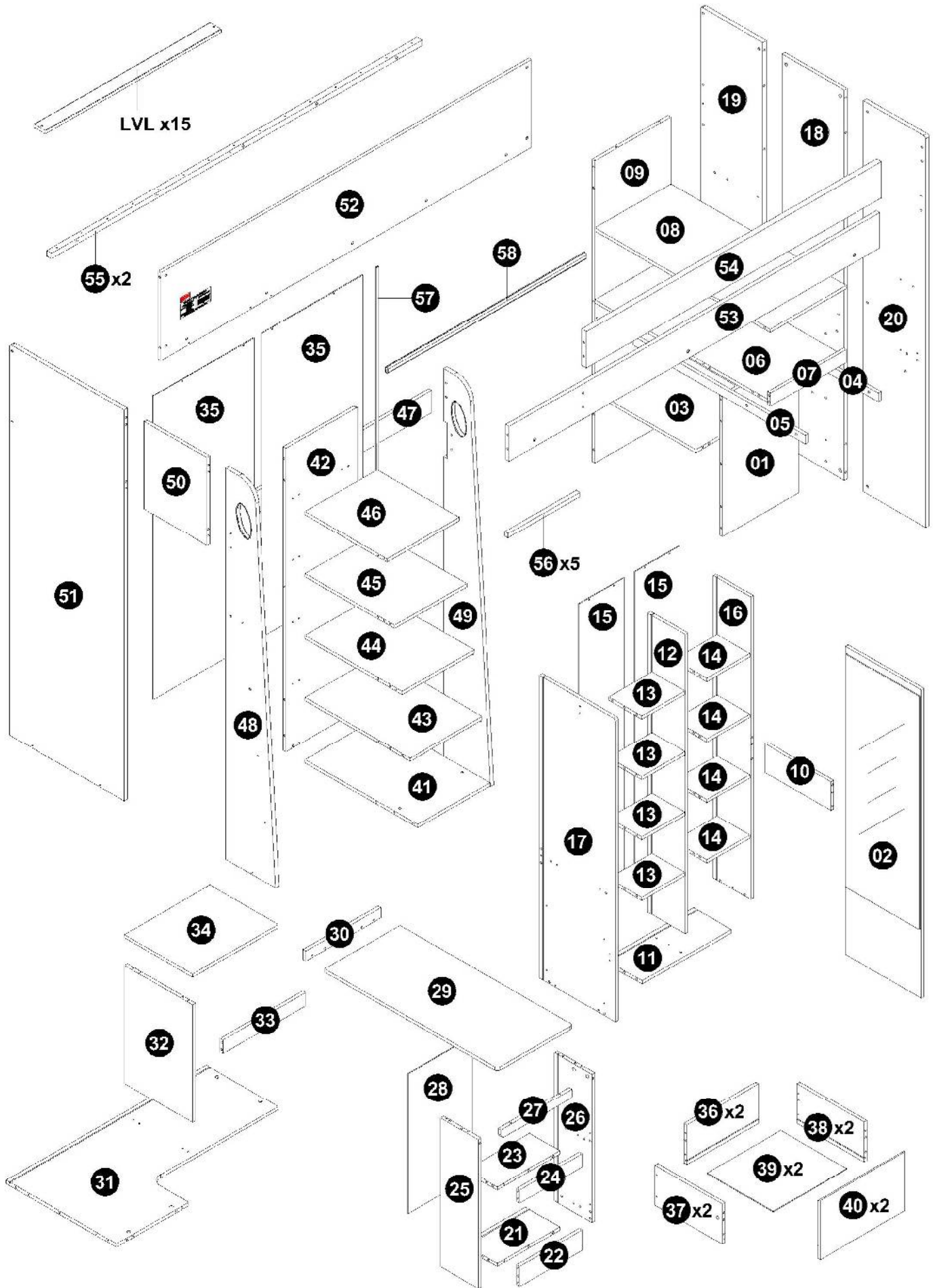
Felt Pads  
26PCS

Z1



Bag Hanger  
1PCS

# PARTS



## IMPORTANT INFORMATION

**WARNING - High Beds and the upper bed of bunk beds are not suitable for children under six years due to the risk of injury from falls.**

**WARNING - Bunk beds and high beds can present a serious risk of injury from strangulation if not used correctly. Never attach or hang items to any part of the bunk bed that are not designed to be used with the bed, for example, but not limited to ropes, st rings, cords, hooks, belts and bags.**

**WARNING - Children can become trapped between the bed and the wall, a roof pitch, the ceiling, adjoining pieces of furniture (e.g.cupboards) and the like. To avoid risk of serious injury the distance between the top safety barrier and the adjoining structure shall not exceed 75mm or shall be more than 230mm.**

**WARNING - Do not use the bunk bed / high bed if any structural part is broken or missing. It is recommended that you always follow the manufacturer's instructions to assemble this product.**

Always follow the manufacturer's recommended mattress size, as per these instructions and the bunk bed / high bed maximum mattress height marking on the item:

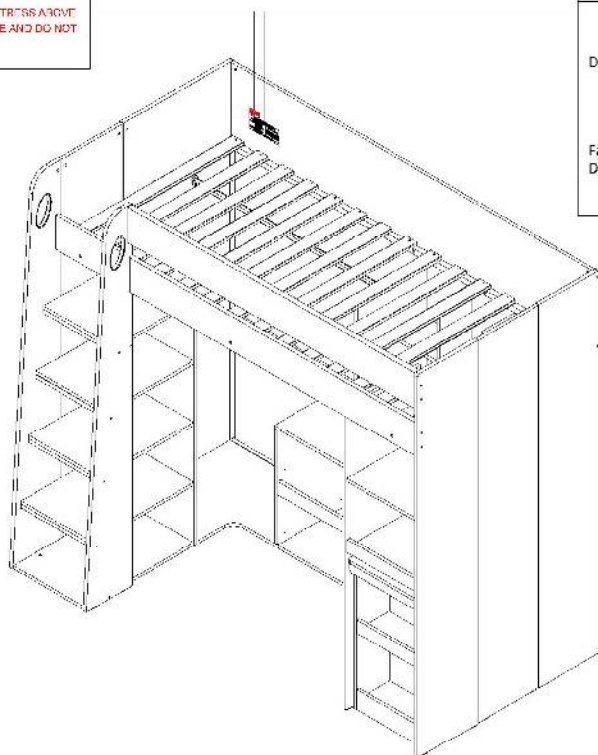
Recommended Mattress Size: 90cm x 190cm (UK Single) with Minimum Depth of 17.0cm

It is necessary to frequently ventilate the room in order to keep the humidity low and to prevent mould in and around the bed.

Please periodically check all the fixings of the item and re-tighten when necessary.

This item conforms to European Safety Standards - BS EN 747-1: 2012 + A1: 2015.

**IMPORTANT SAFETY WARNING!**  
DO NOT PLACE THE MATTRESS ABOVE  
THE LINE MARKED ABOVE AND DO NOT  
REMOVE THIS LABEL.



### **THIS LABEL IS NOT TO BE REMOVED**

#### **AURORA HIGH SLEEPER**

Product Code - AUR 001

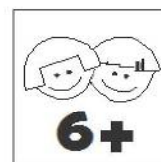
Distributed by: Julian Bowen Limited  
Bentick House,  
Park Lane Business Park,  
Kirkby-in-Ashfield,  
Notts, NG17 9LJ

Factory ID: Manufactured in Malaysia  
Date of Manufacture: December 2019

#### **CERTIFICATION LABEL**

This bunk bed model has been tested  
by an independent laboratory and is  
in compliance with EN 747-1:2012 +  
A1:2015 - Standard Consumer Safety  
Specification For Bunk Beds & High  
Beds

**WARNING: This upper bed is not suitable for children under six years**



# Safety Advice

Please take the time to carefully read through the whole of these instructions before you commence.

Keep these instructions for future reference.

Unpack, inspect and check off all of the contents.

Please dispose of all packaging safely.

Small component parts could choke a child if swallowed.

We strongly recommend that you keep children well away from the work area.

It would be sensible to lay a sheet or blanket on the floor where you intend to work to avoid scratching this product and to protect your floor.

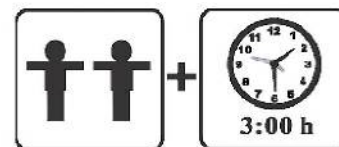
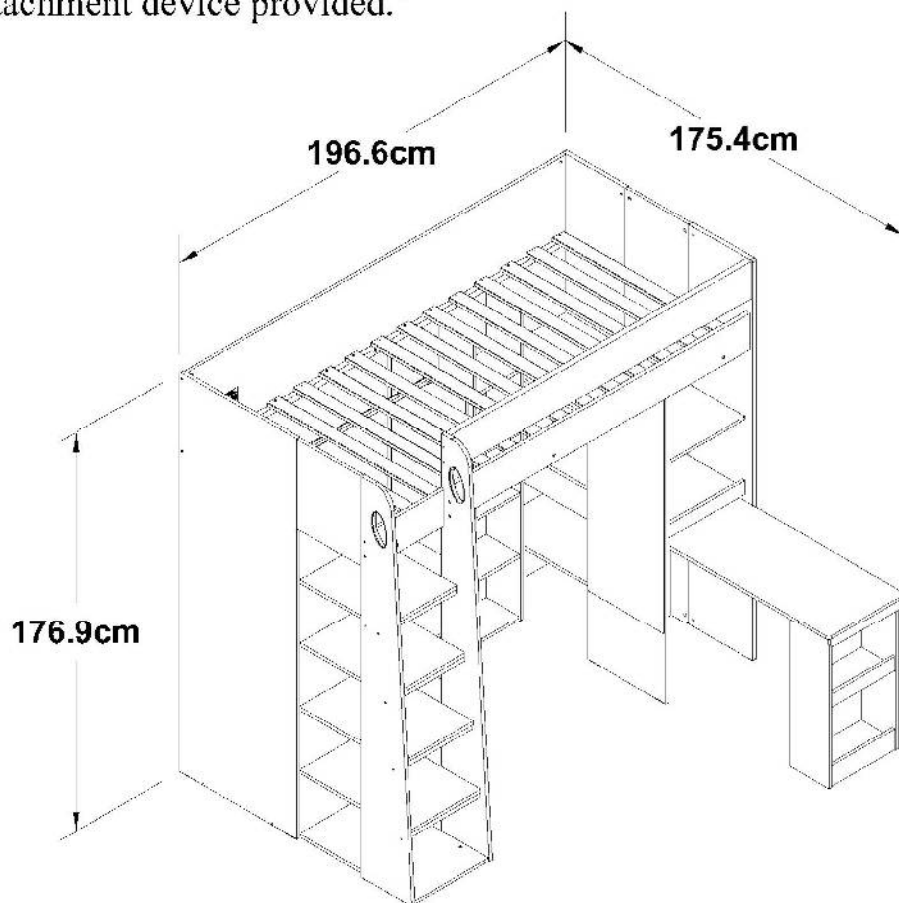
This product is heavy. Take extreme care when lifting to avoid personal injury or damage to the product.

Assemble the product as close to its intended final position in the room as possible.

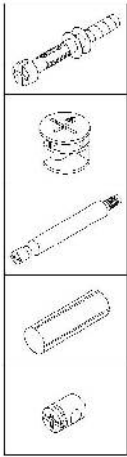
**HANDY HINT:** If you keep the hardware in a bowl during assembly you will be less likely to lose them.

We strongly urge that you do not use Power Tools, such as drills or electric screwdrivers during this assembly as this could cause irreparable damage to your product and will invalidate the warranty.

"WARNING: In order to prevent overturning this product must be used with the wall attachment device provided."



1



A x 16

B x 16

C x 2

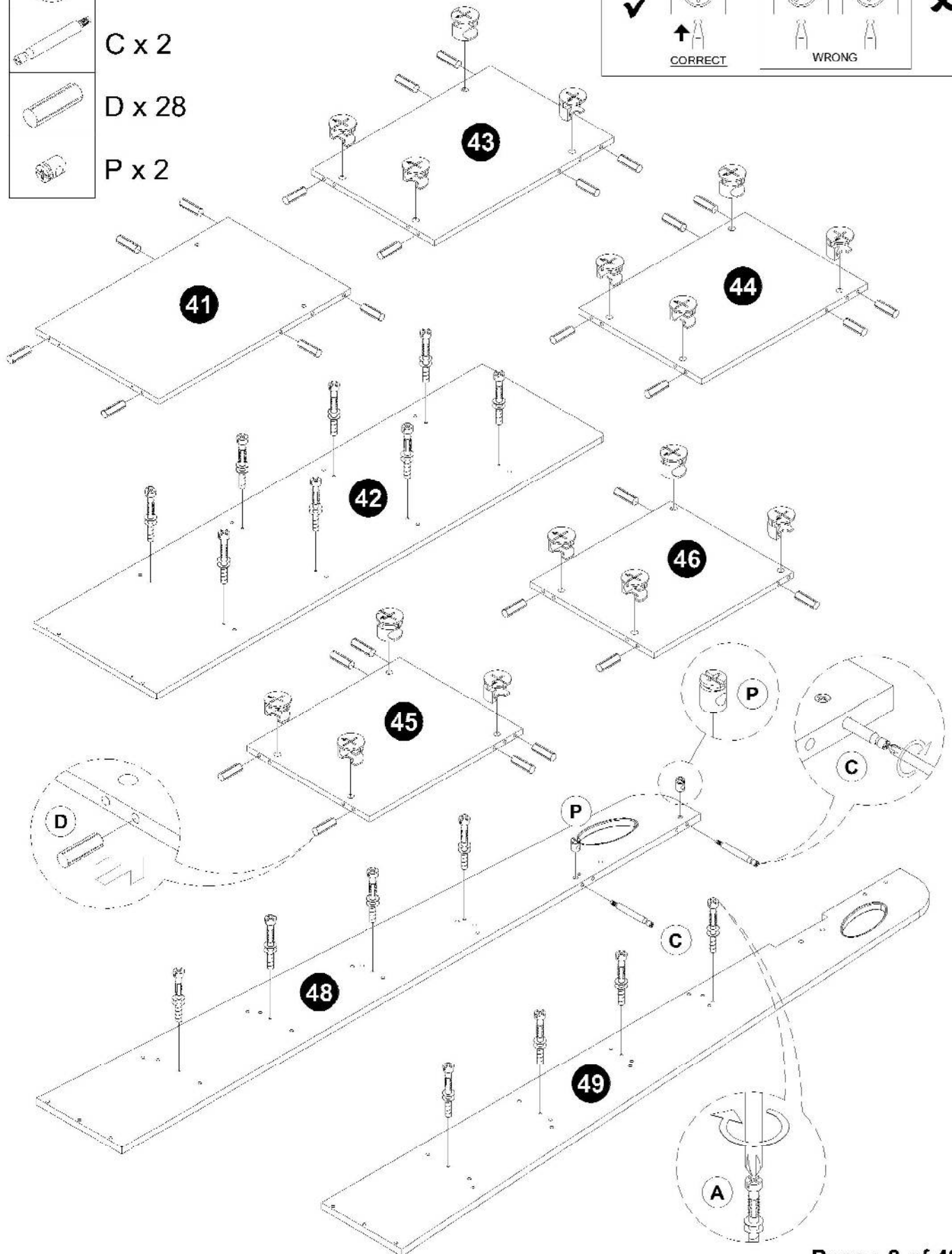
D x 28

P x 2

**WHEN FITTING CAMS**  
 ENSURE STARTING POSITION IS CORRECT  
 BEFORE YOU INSERT CONNECTING BOLT  
 TURN CLOCKWISE UNTIL SECURE

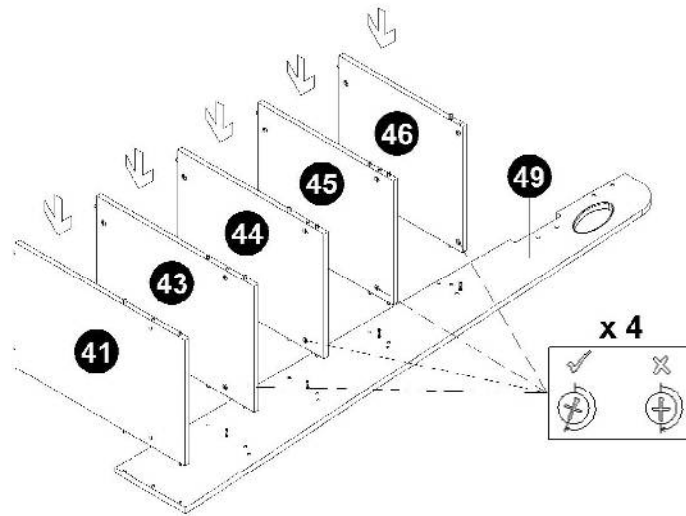
✓ ✗

↑  
CORRECT      WRONG

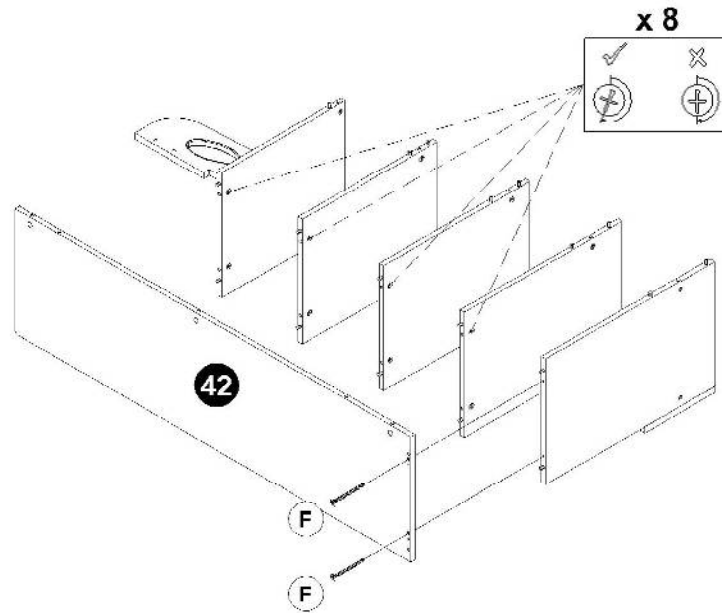




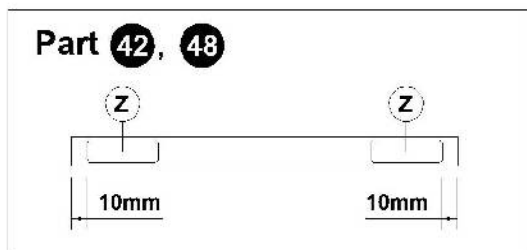
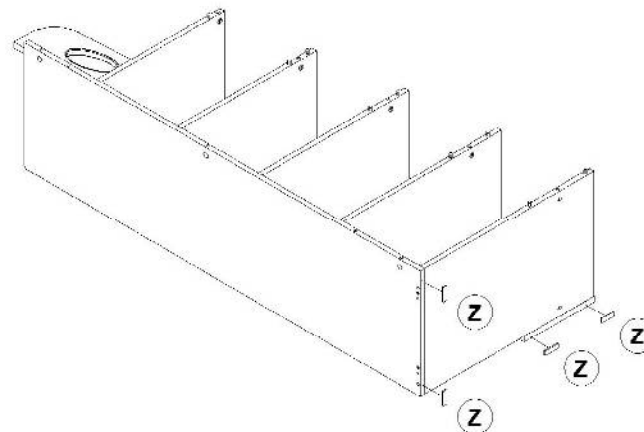
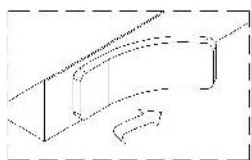
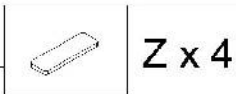
2



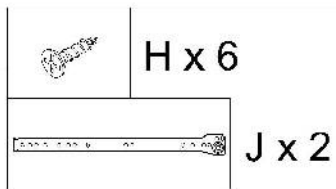
3



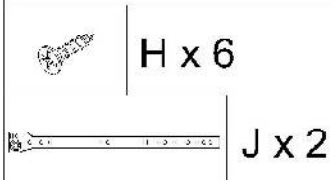
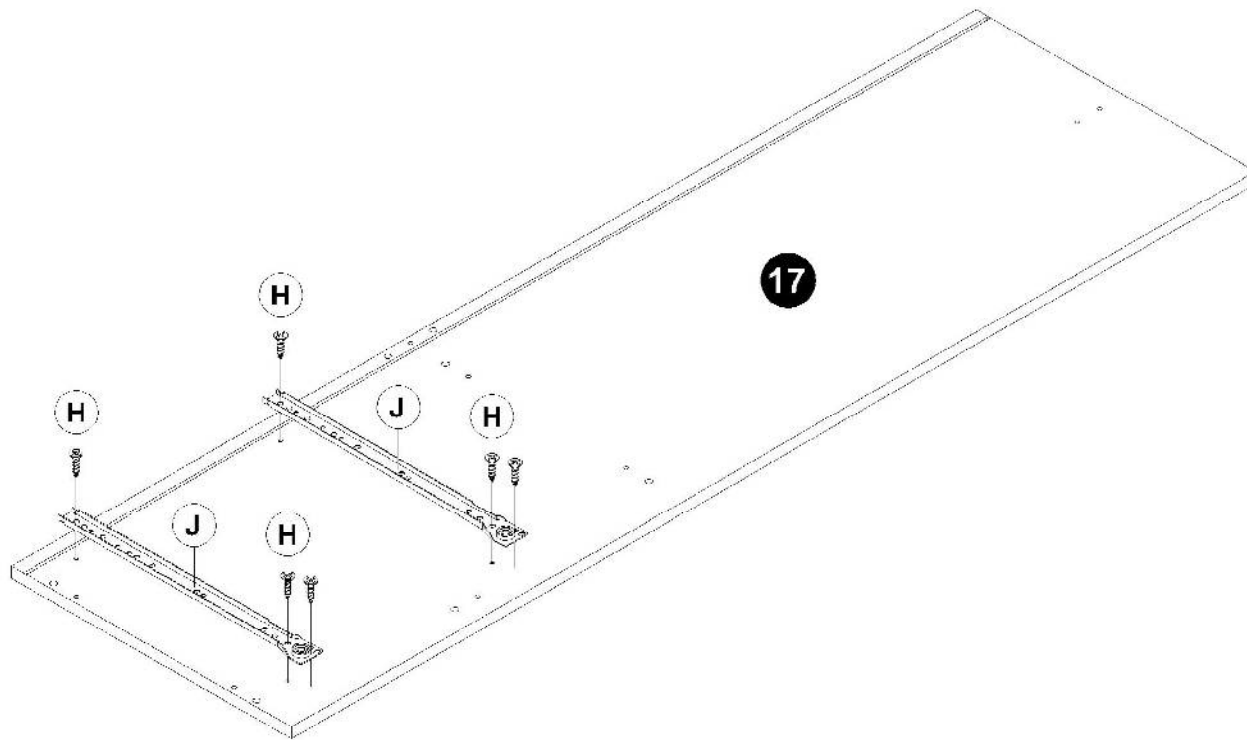
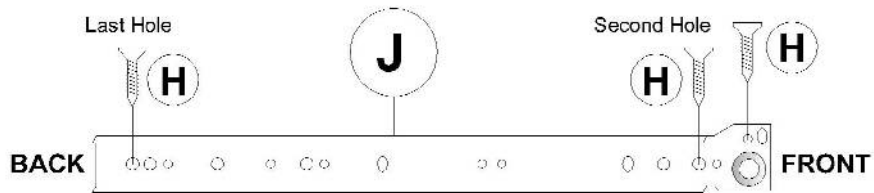
4



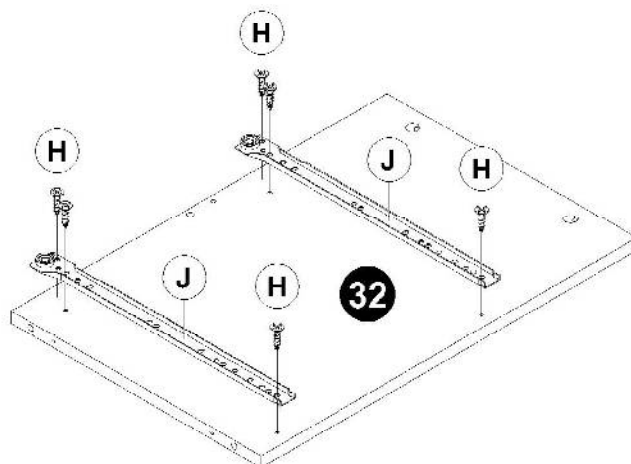
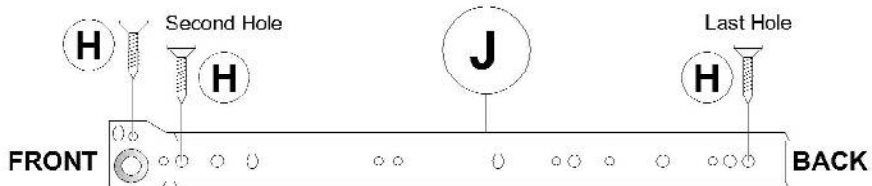
5



To Assembly the Drawer Slide, Please Follow Step as Below



To Assembly the Drawer Slide, Please Follow Step as Below



6



A x 7

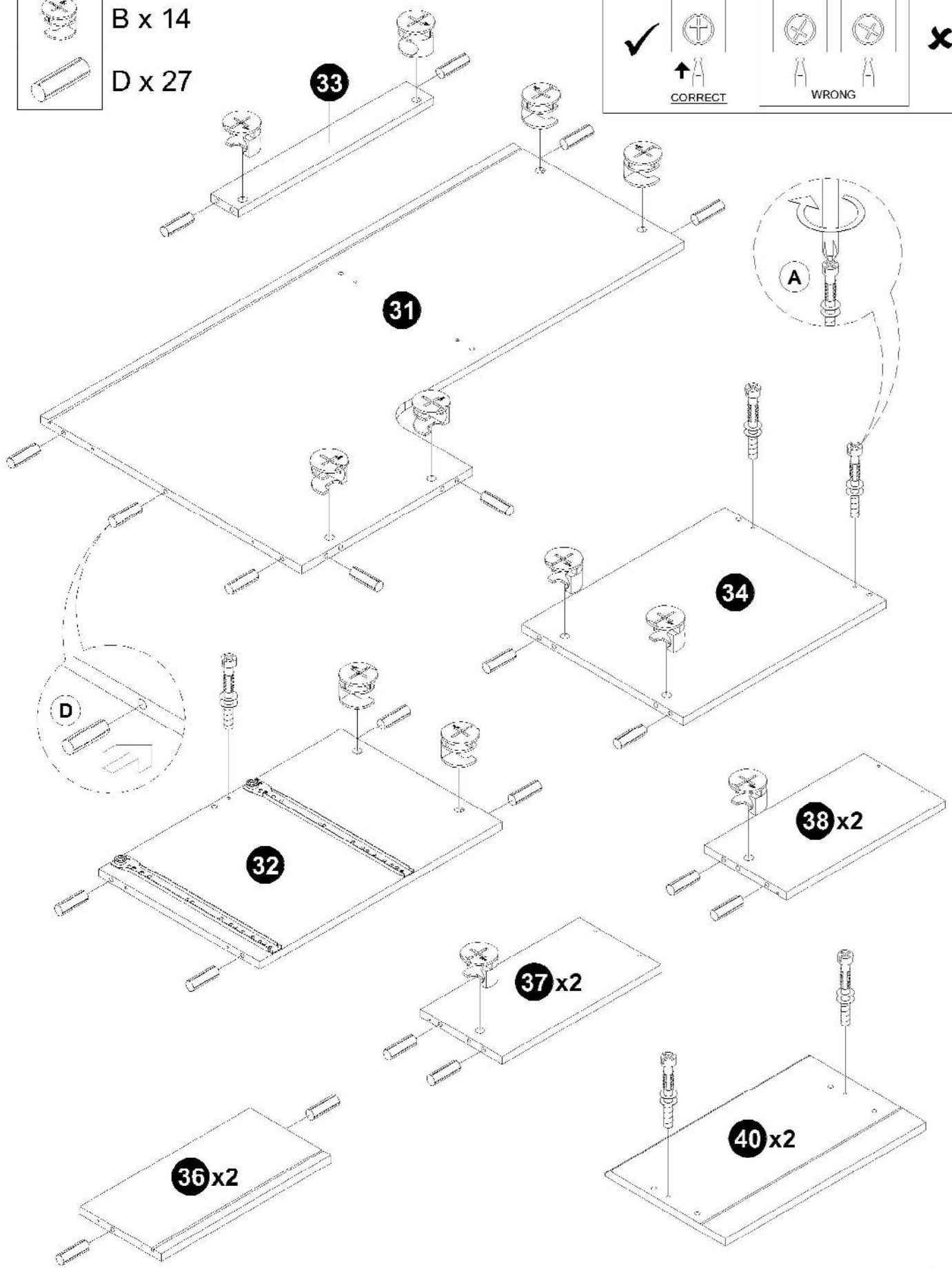
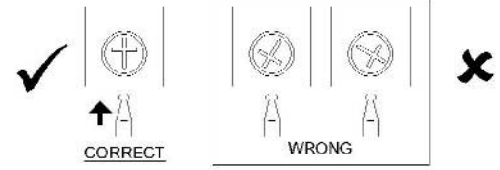


B x 14

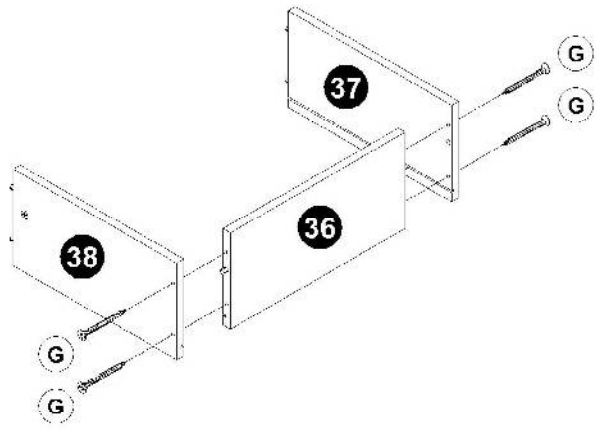


D x 27

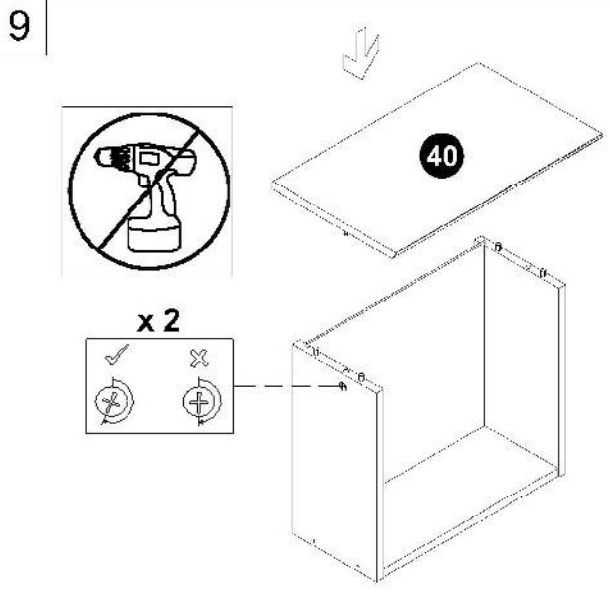
**WHEN FITTING CAMS**  
ENSURE STARTING POSITION IS CORRECT  
BEFORE YOU INSERT CONNECTING BOLT  
TURN CLOCKWISE UNTIL SECURE



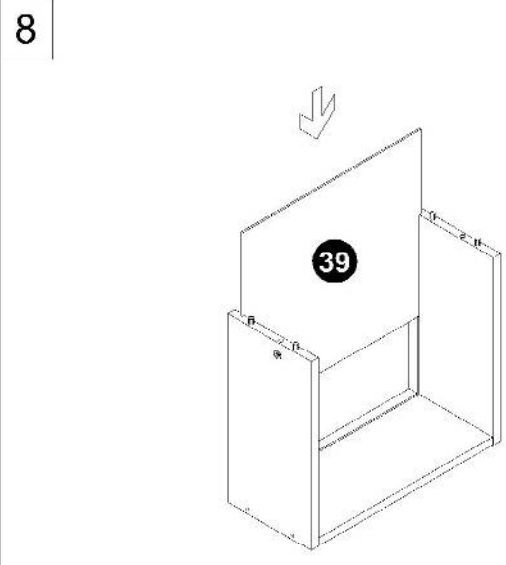
7 |  G x 8



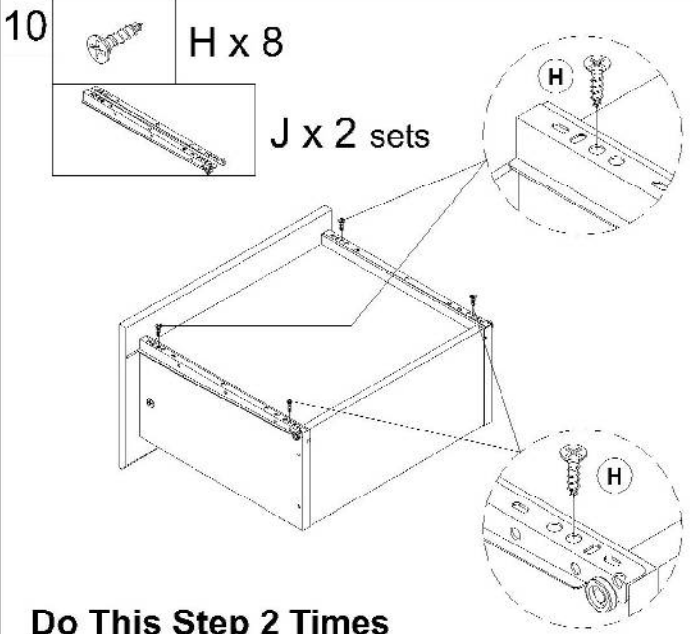
**Do This Step 2 Times**



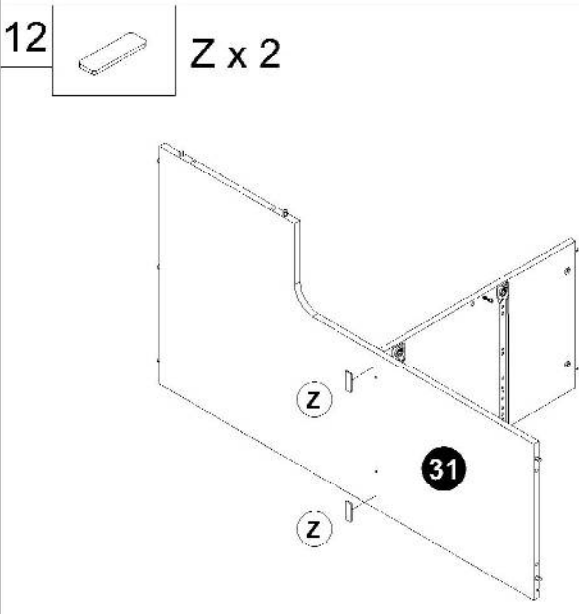
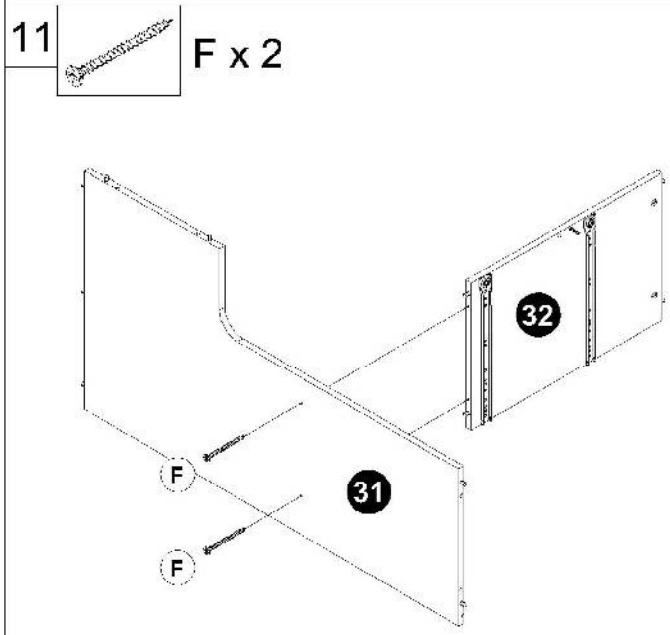
**Do This Step 2 Times**



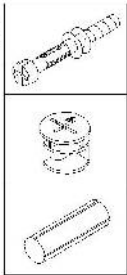
**Do This Step 2 Times**



**Do This Step 2 Times**



13



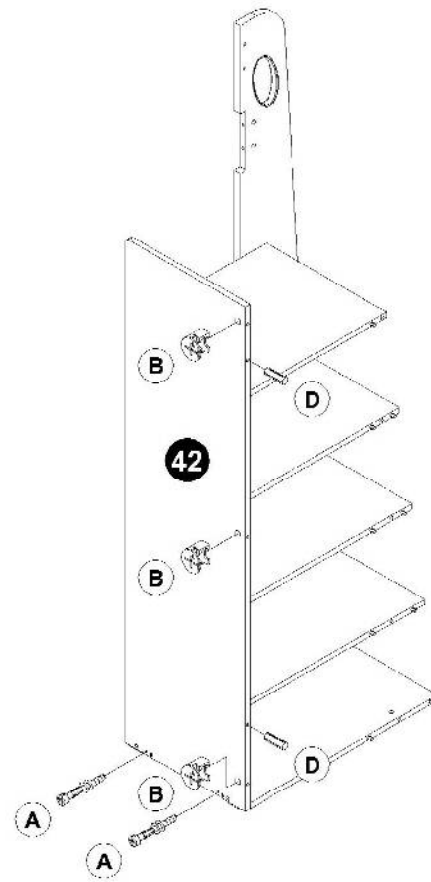
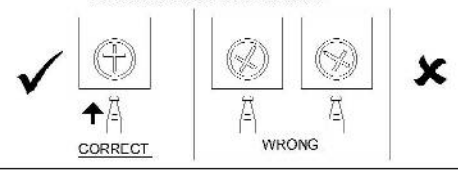
A x 2

B x 3

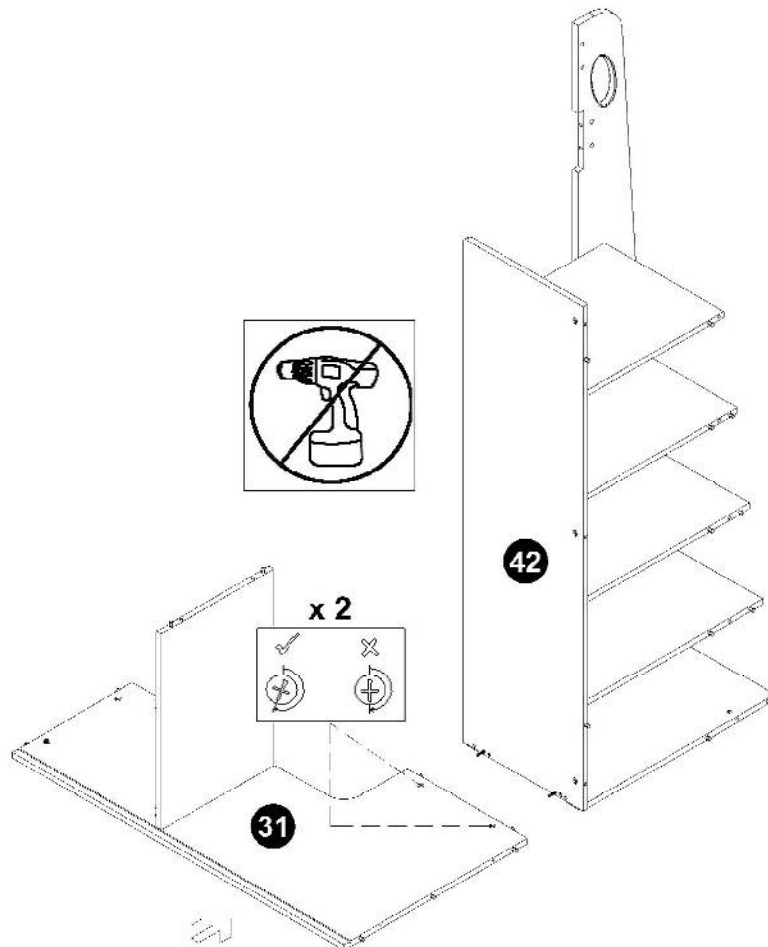
D x 2

**WHEN FITTING CAMS**

ENSURE STARTING POSITION IS CORRECT  
BEFORE YOU INSERT CONNECTING BOLT  
TURN CLOCKWISE UNTIL SECURE



14



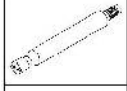
15



A x 4



B x 6



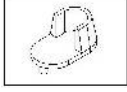
C x 2



D x 8



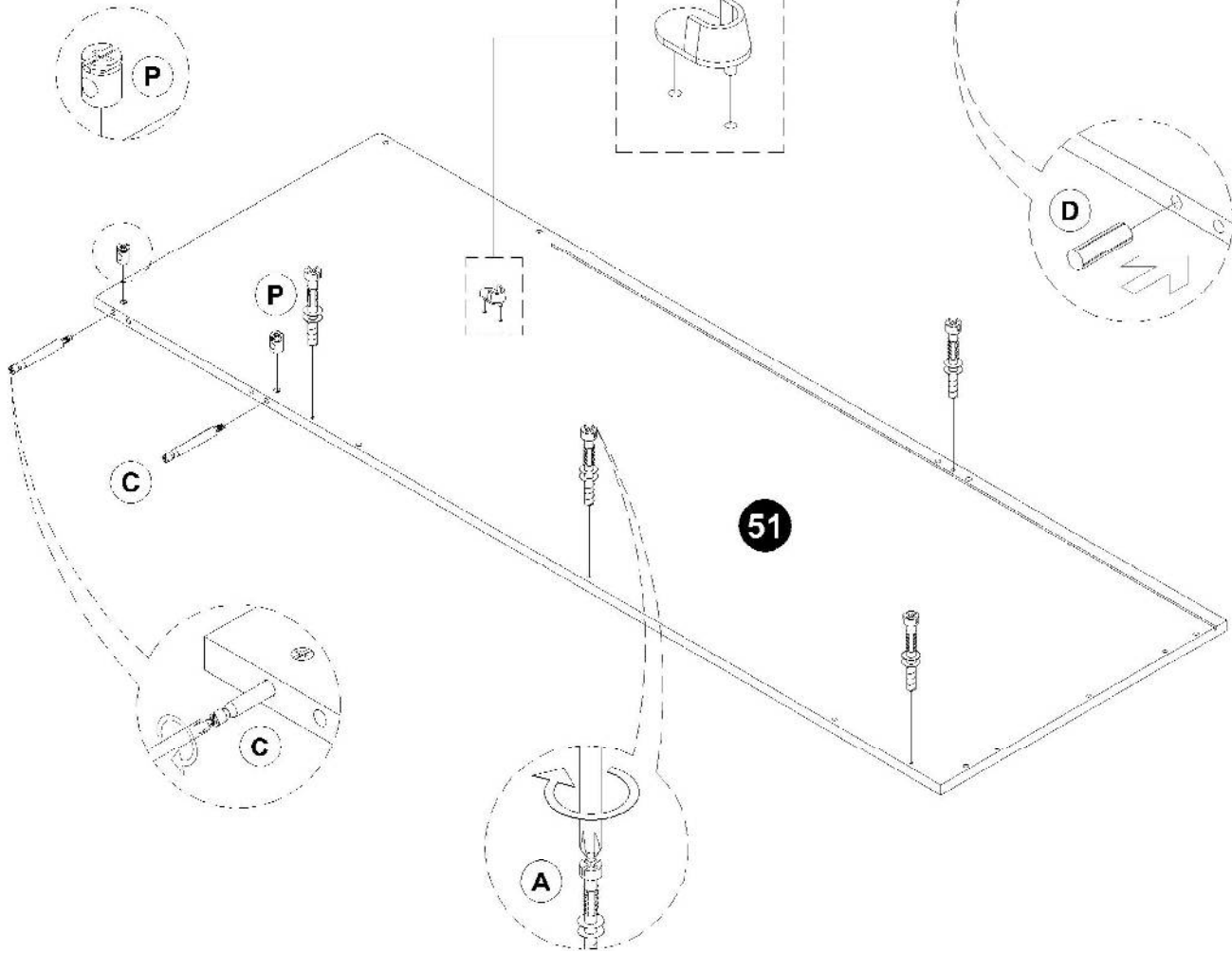
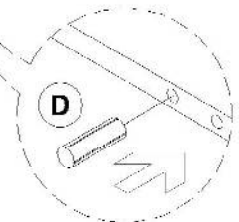
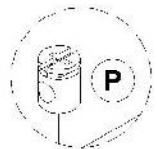
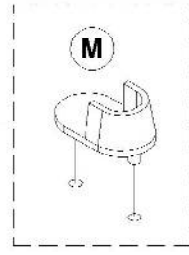
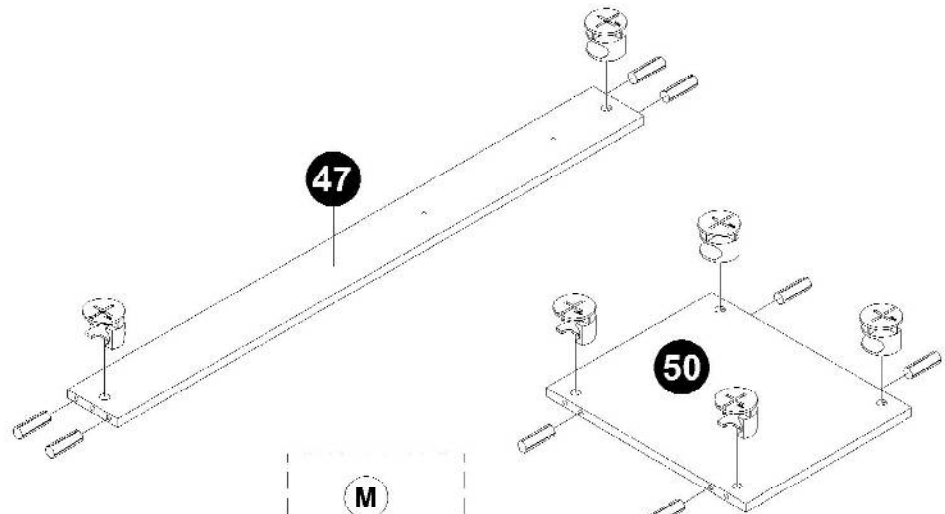
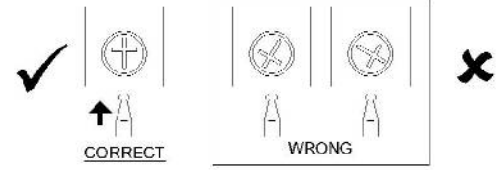
P x 2



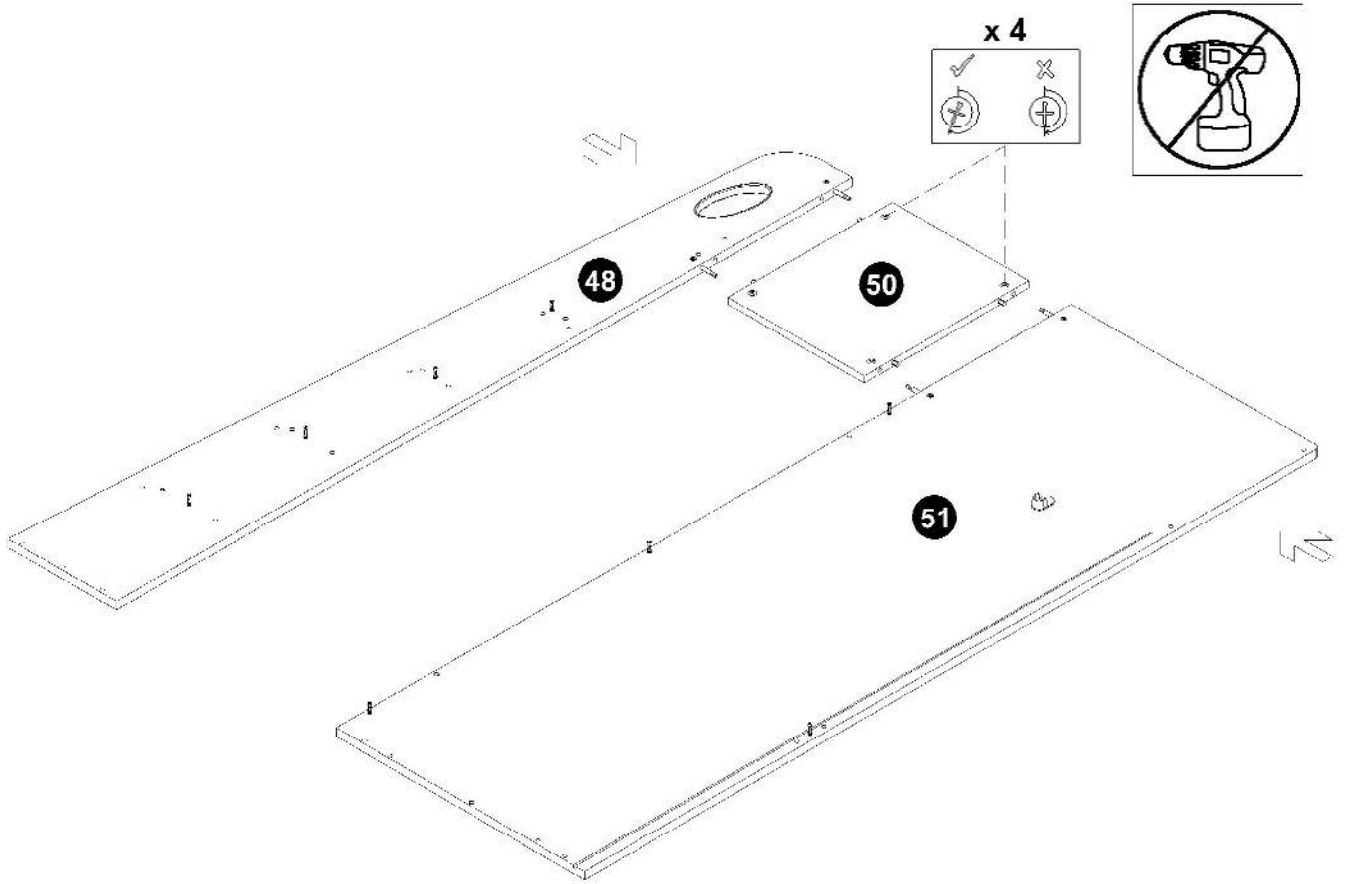
M x 1

**WHEN FITTING CAMS**



ENSURE STARTING POSITION IS CORRECT  
BEFORE YOU INSERT CONNECTING BOLT  
TURN CLOCKWISE UNTIL SECURE

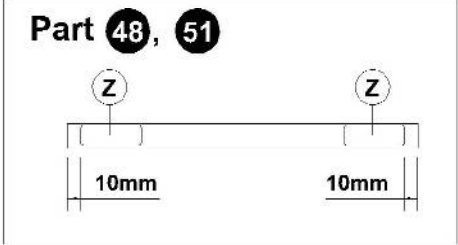
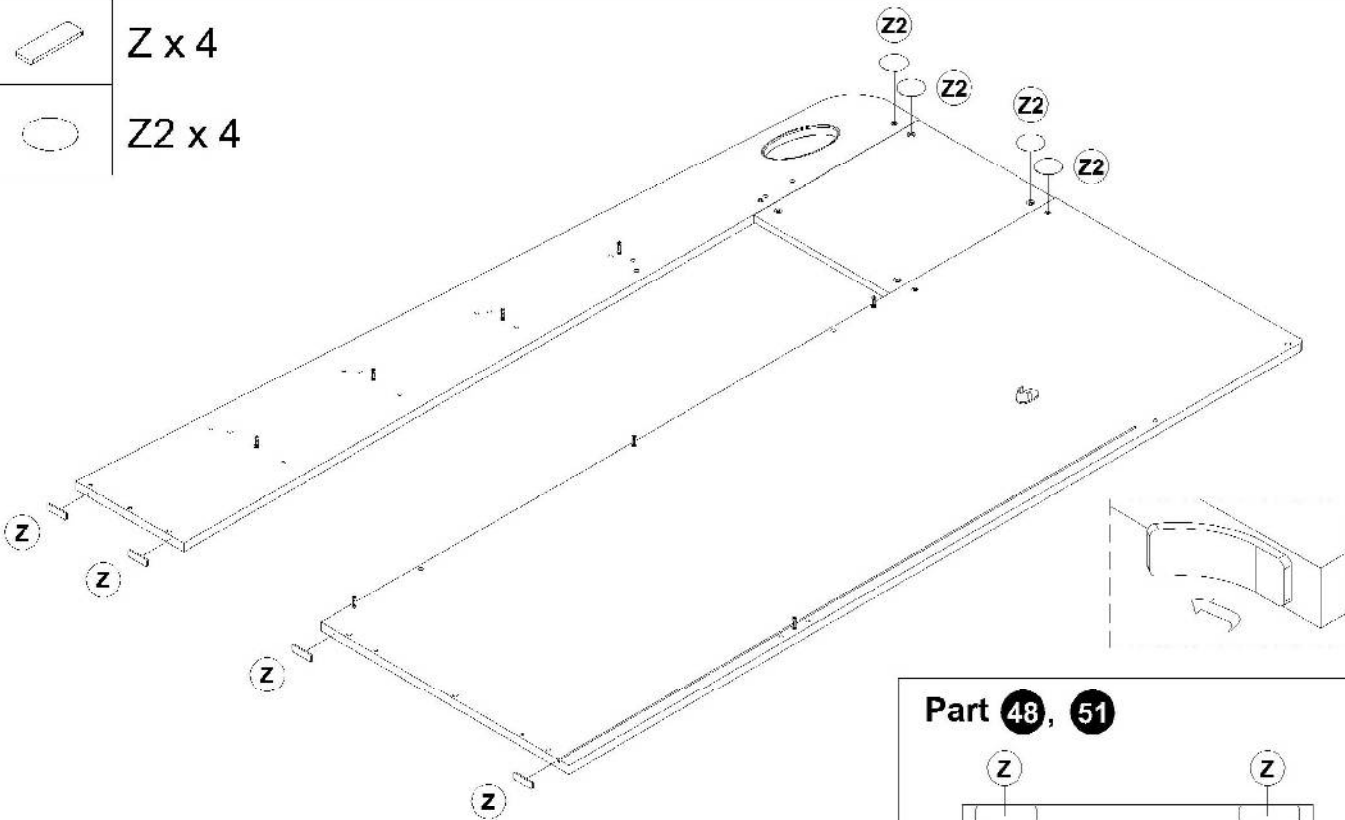


16





17

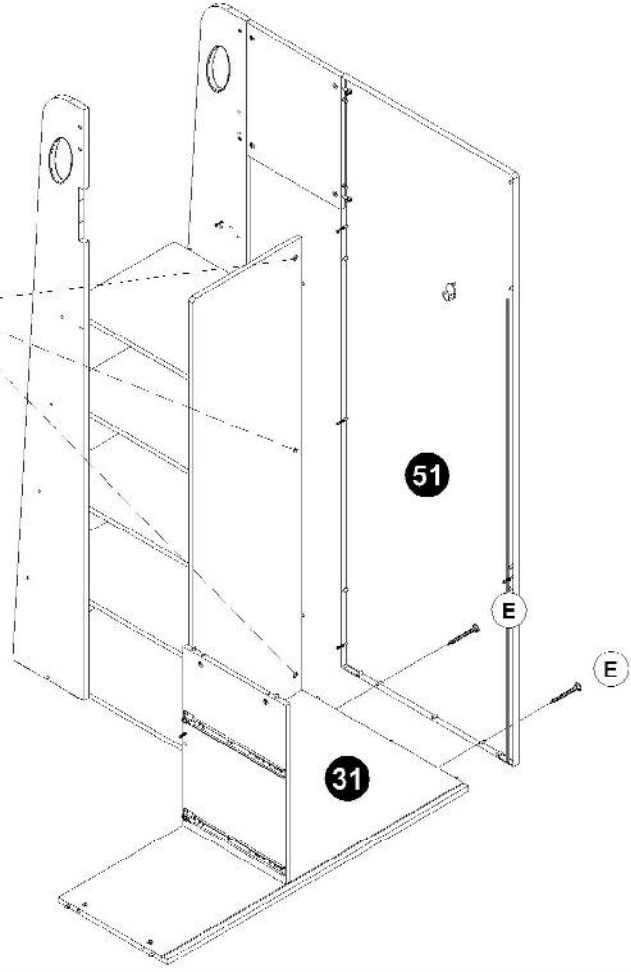
-  Z x 4
-  Z2 x 4





18  E x 2

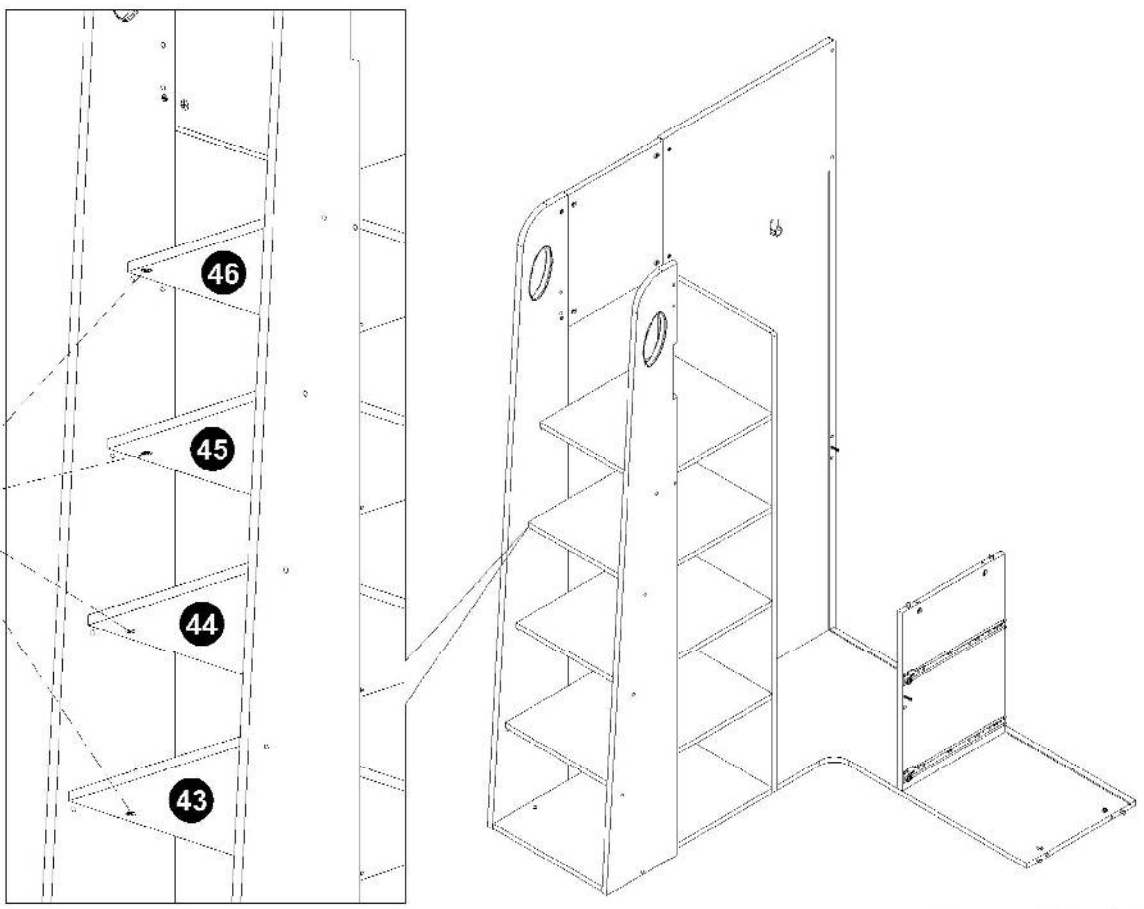


x 3  
 


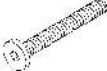


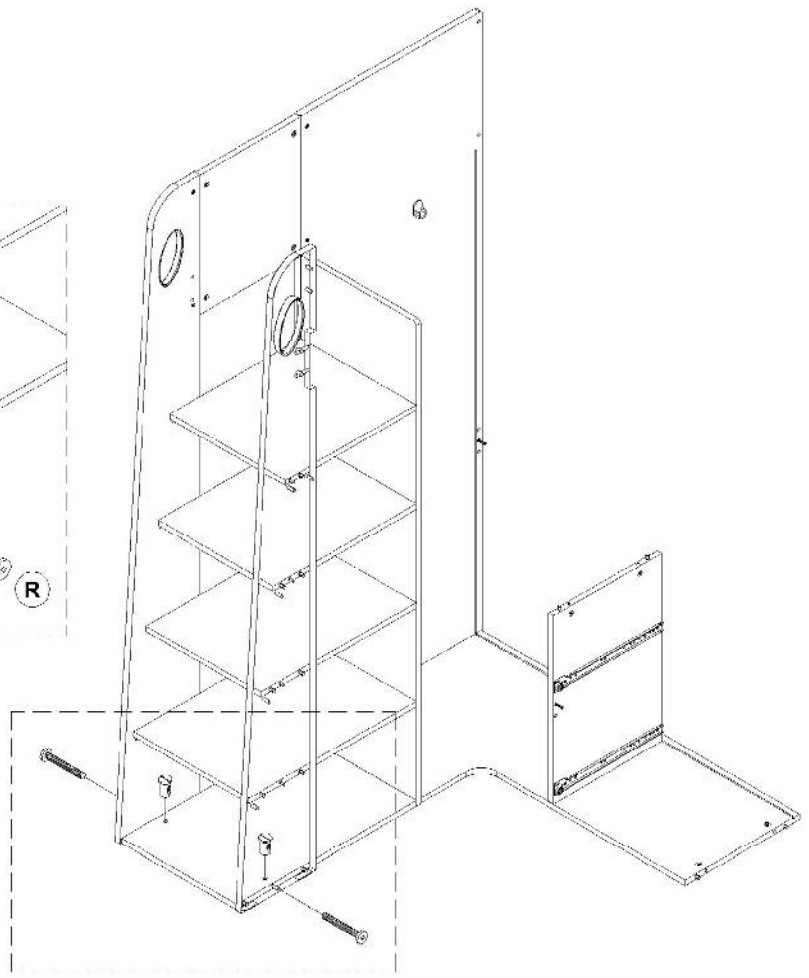
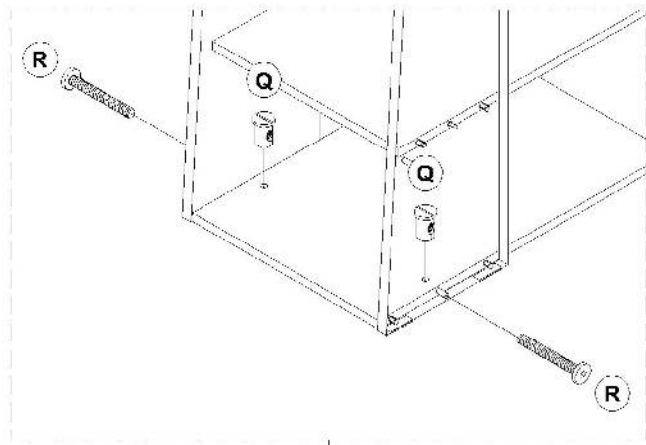
19

x 4  
 

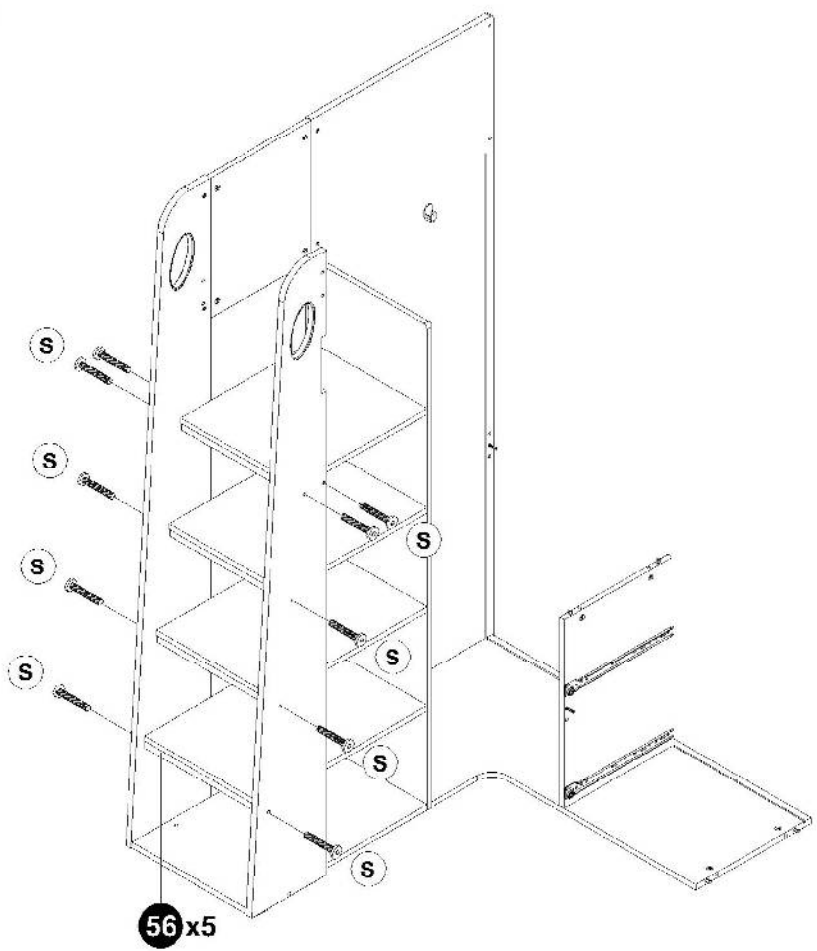




- 20  Q x 2  
 R x 2



- 21  S x 10



22



B x 6



C x 6



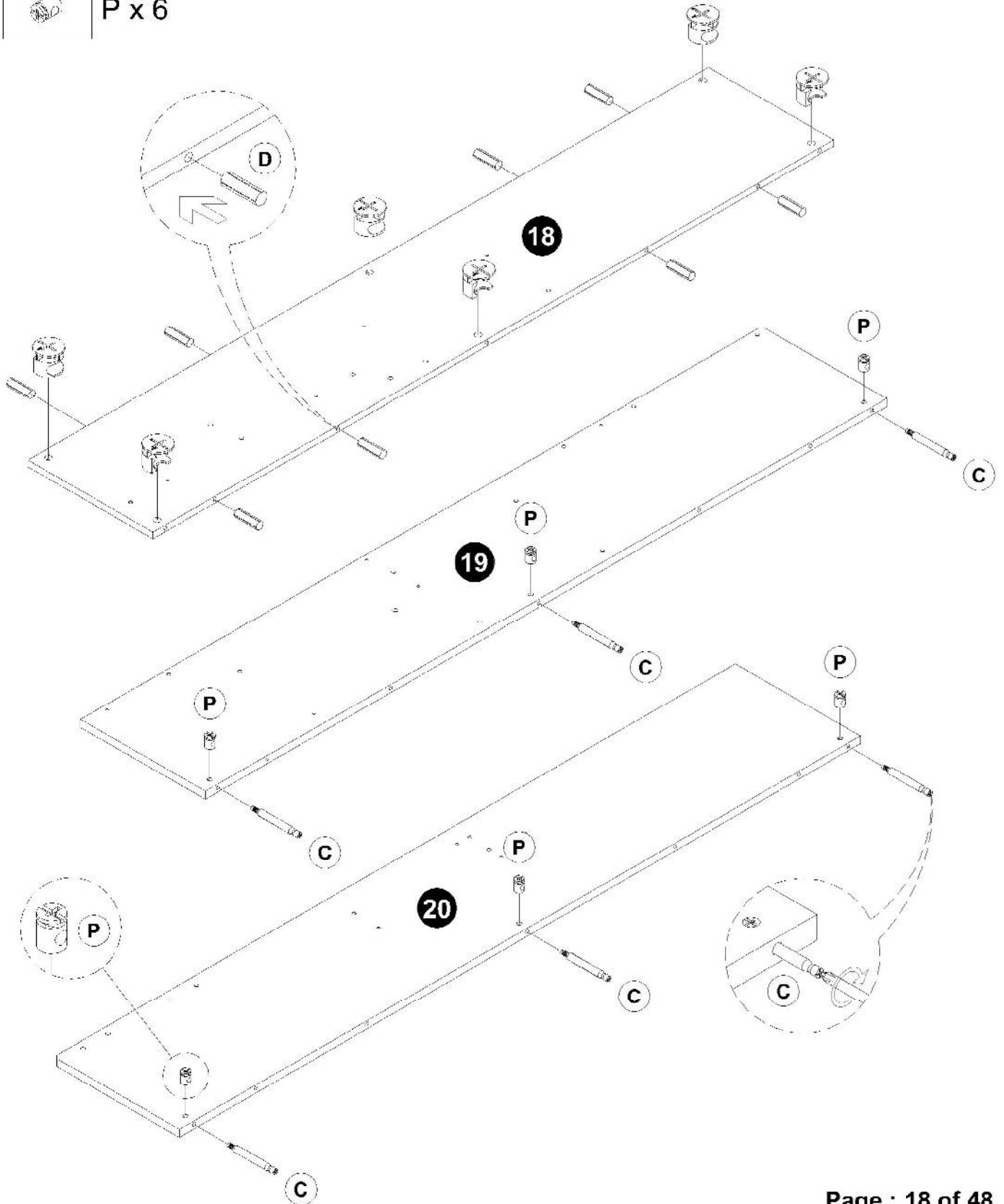
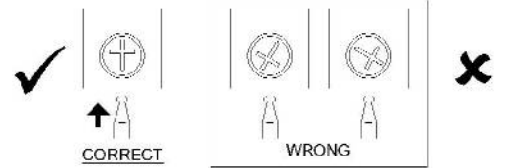
D x 8

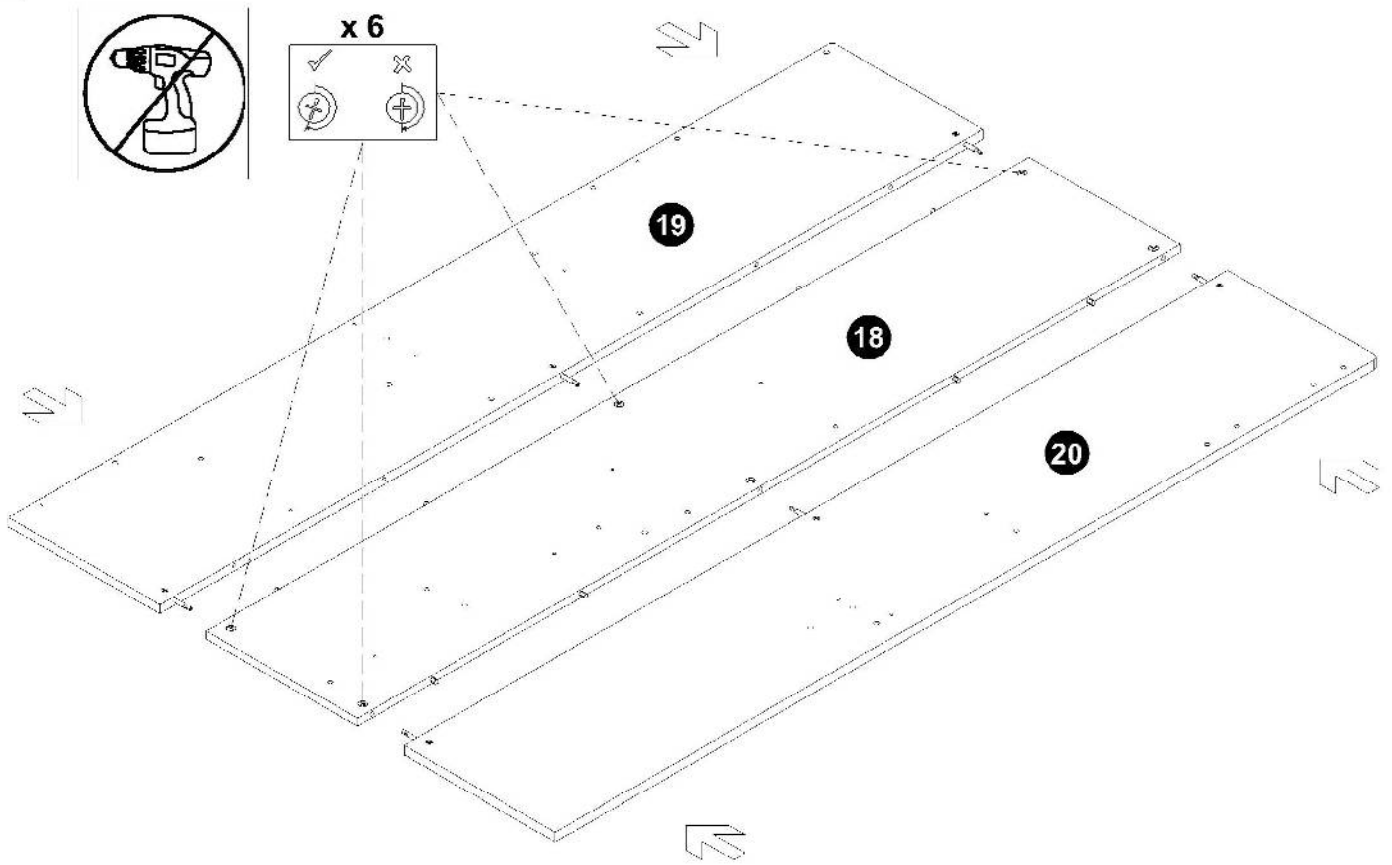





P x 6

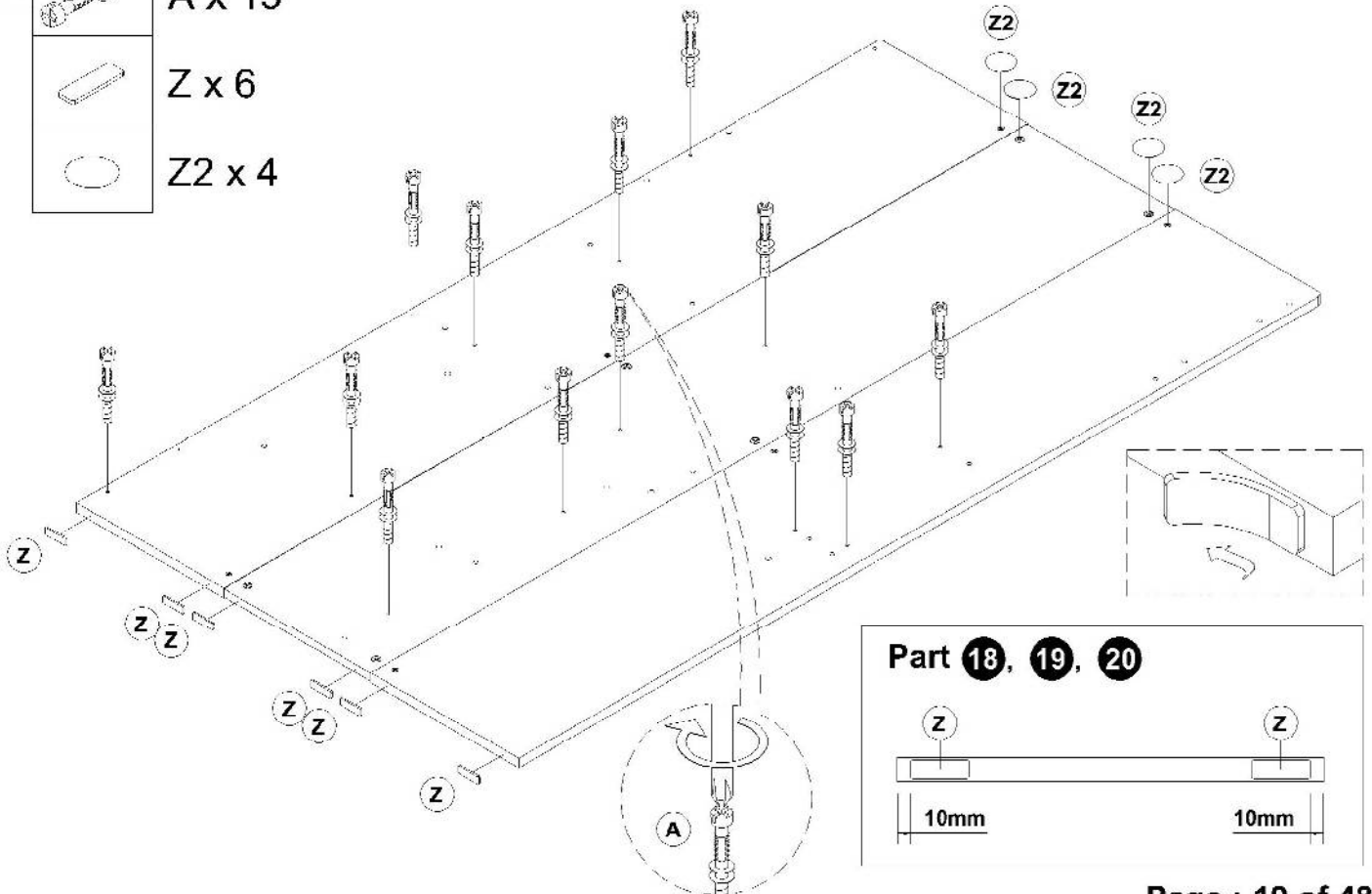
**WHEN FITTING CAMS**

ENSURE STARTING POSITION IS CORRECT  
BEFORE YOU INSERT CONNECTING BOLT  
TURN CLOCKWISE UNTIL SECURE

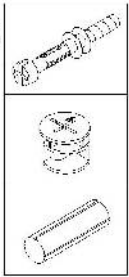




-  A x 13
-  Z x 6
-  Z2 x 4



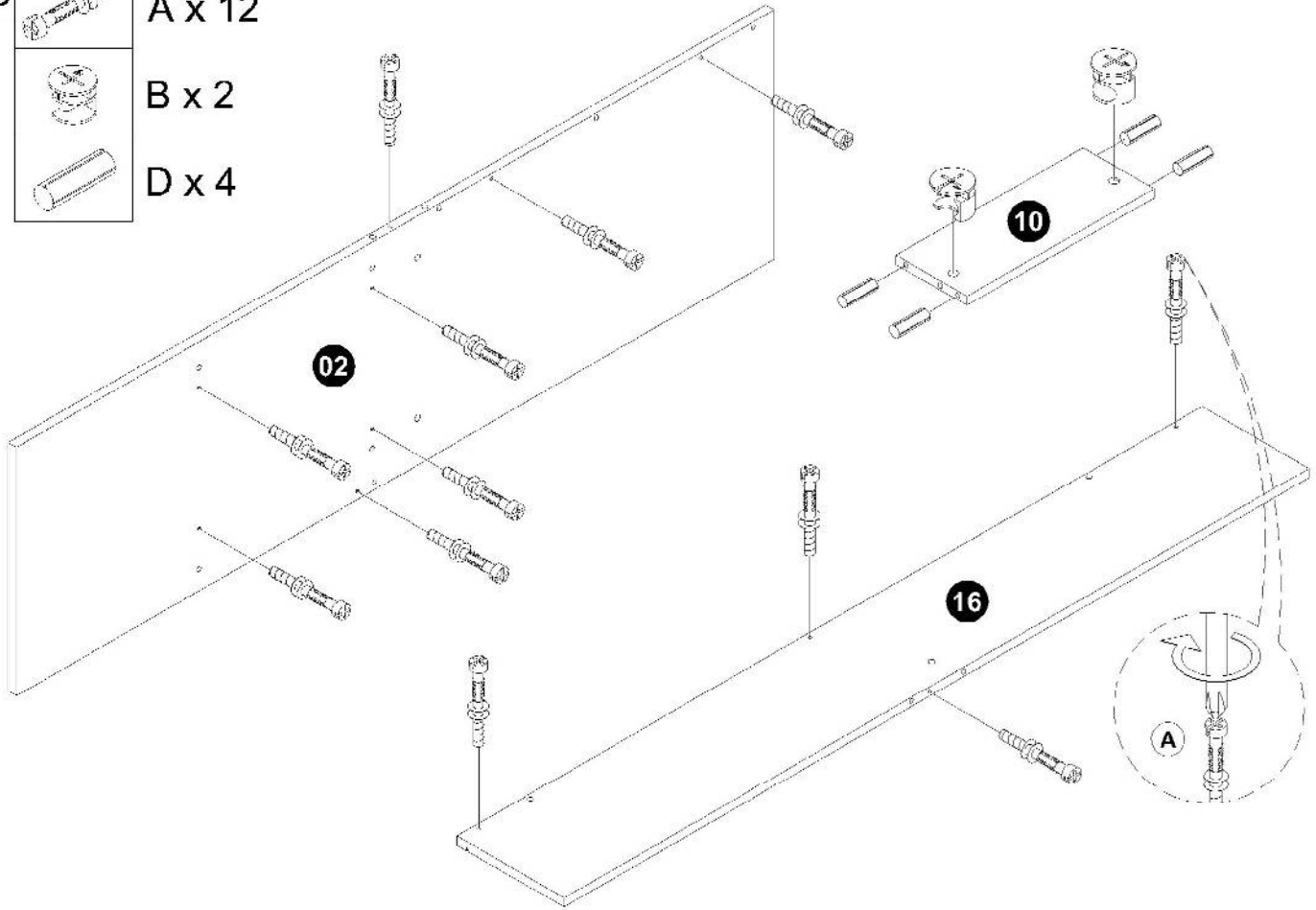
25



A x 12

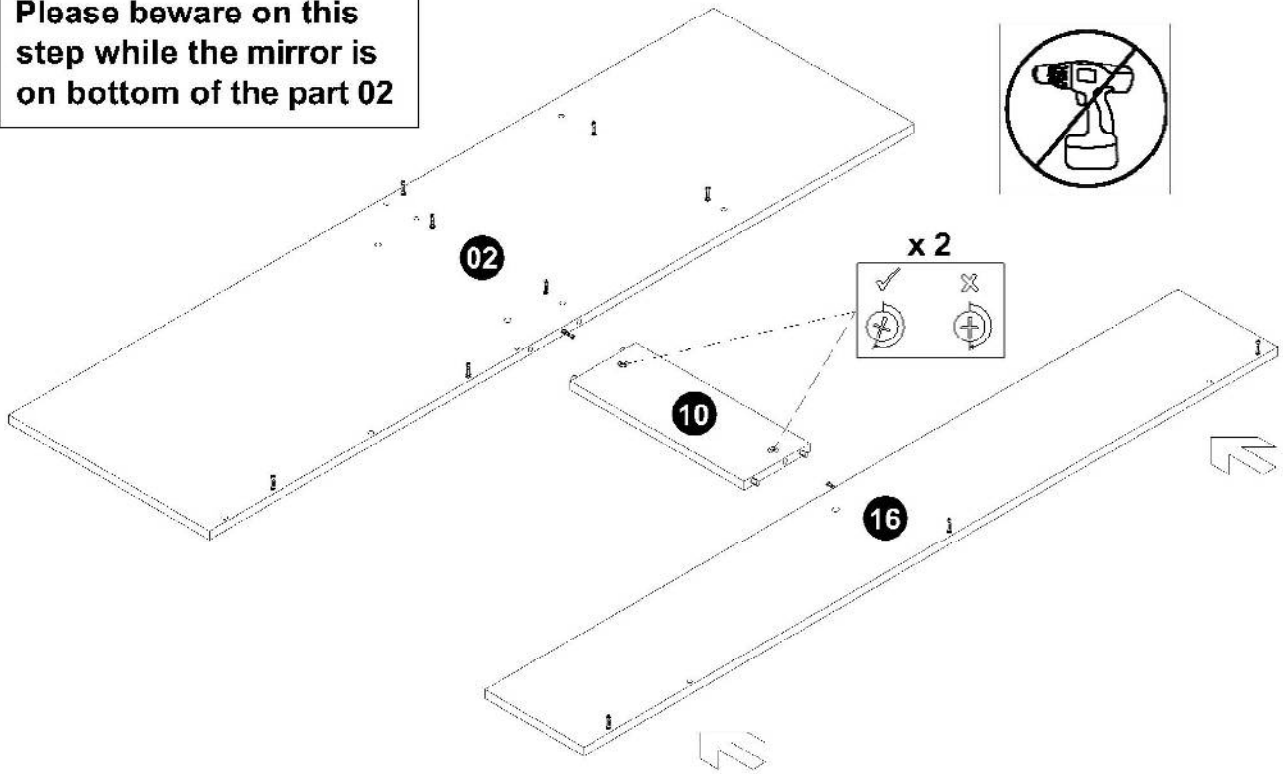
B x 2

D x 4



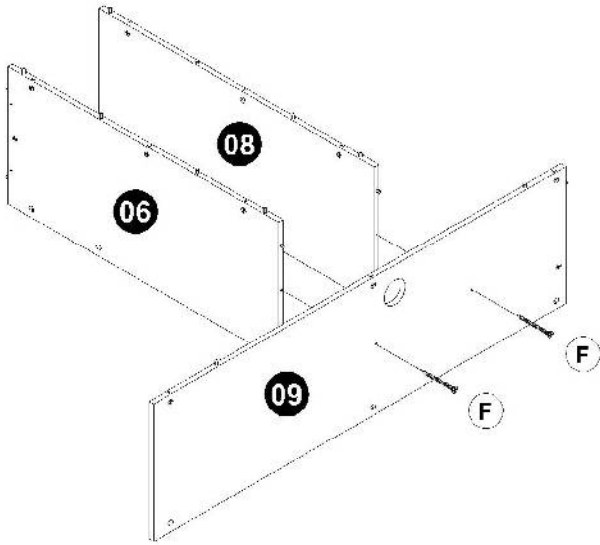
26

Please beware on this step while the mirror is on bottom of the part 02

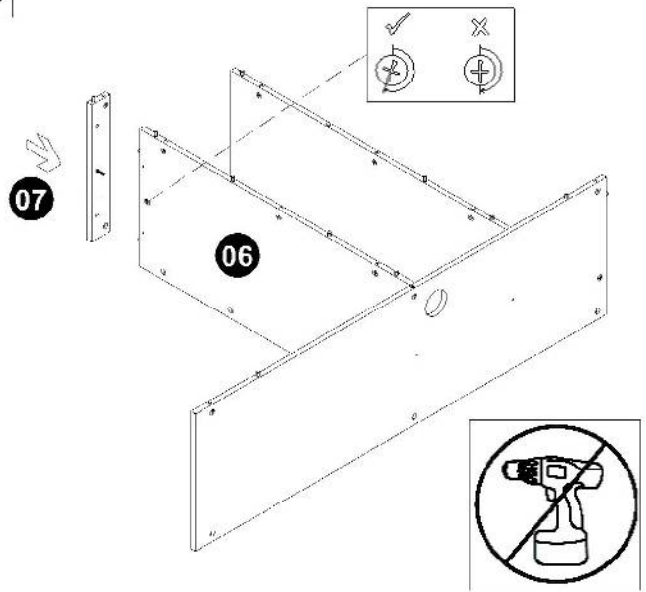




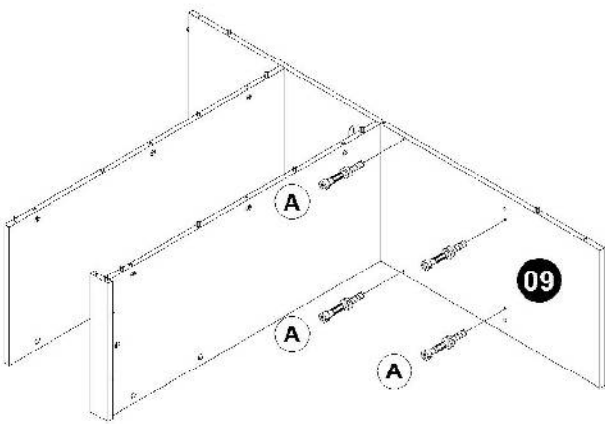
28  F x 2



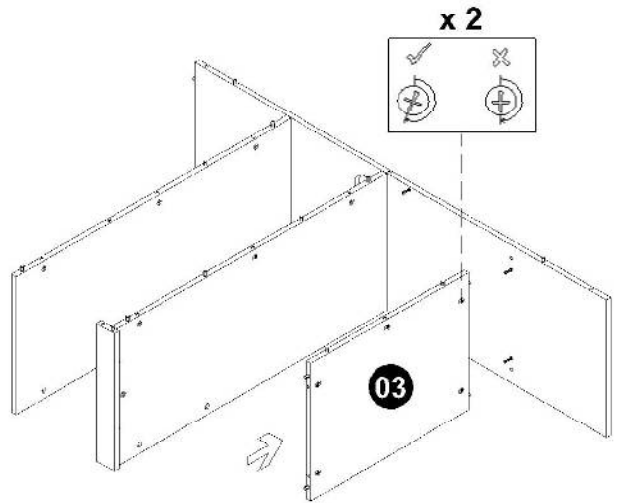
29



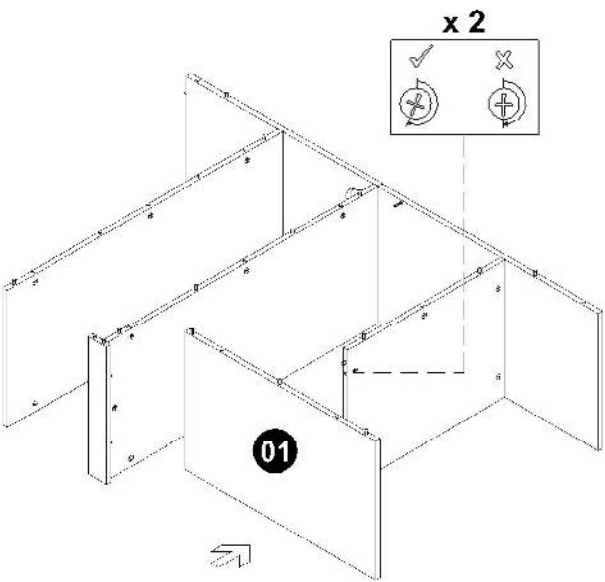
30  A x 4



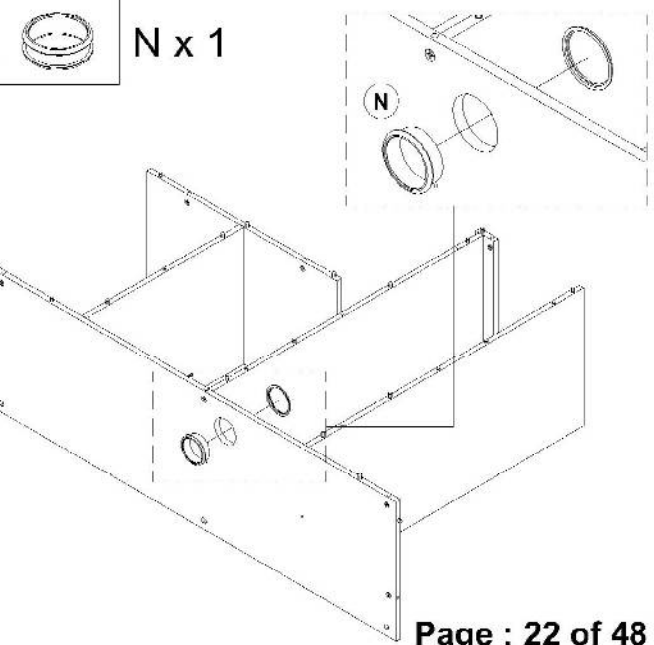
31



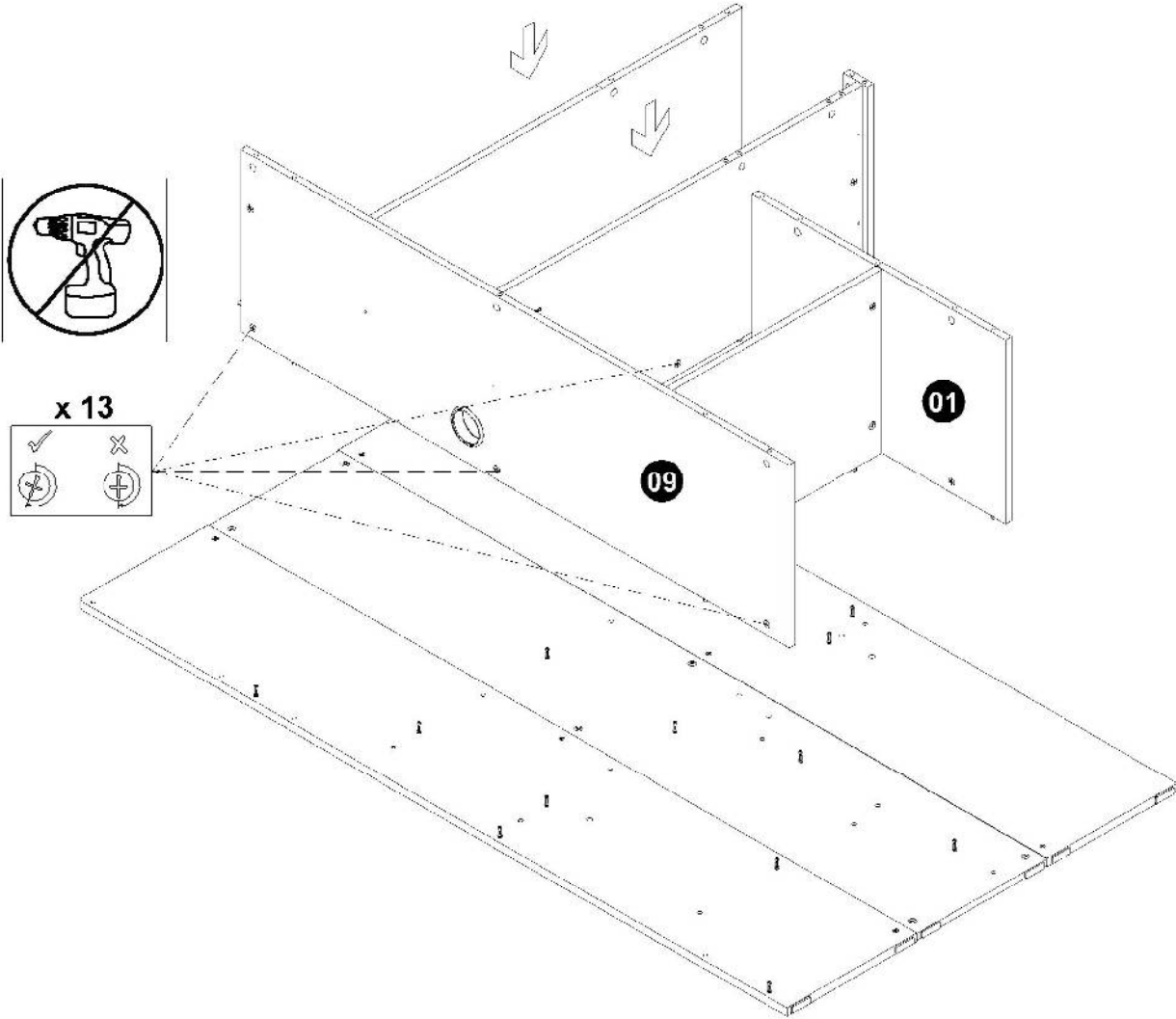
32



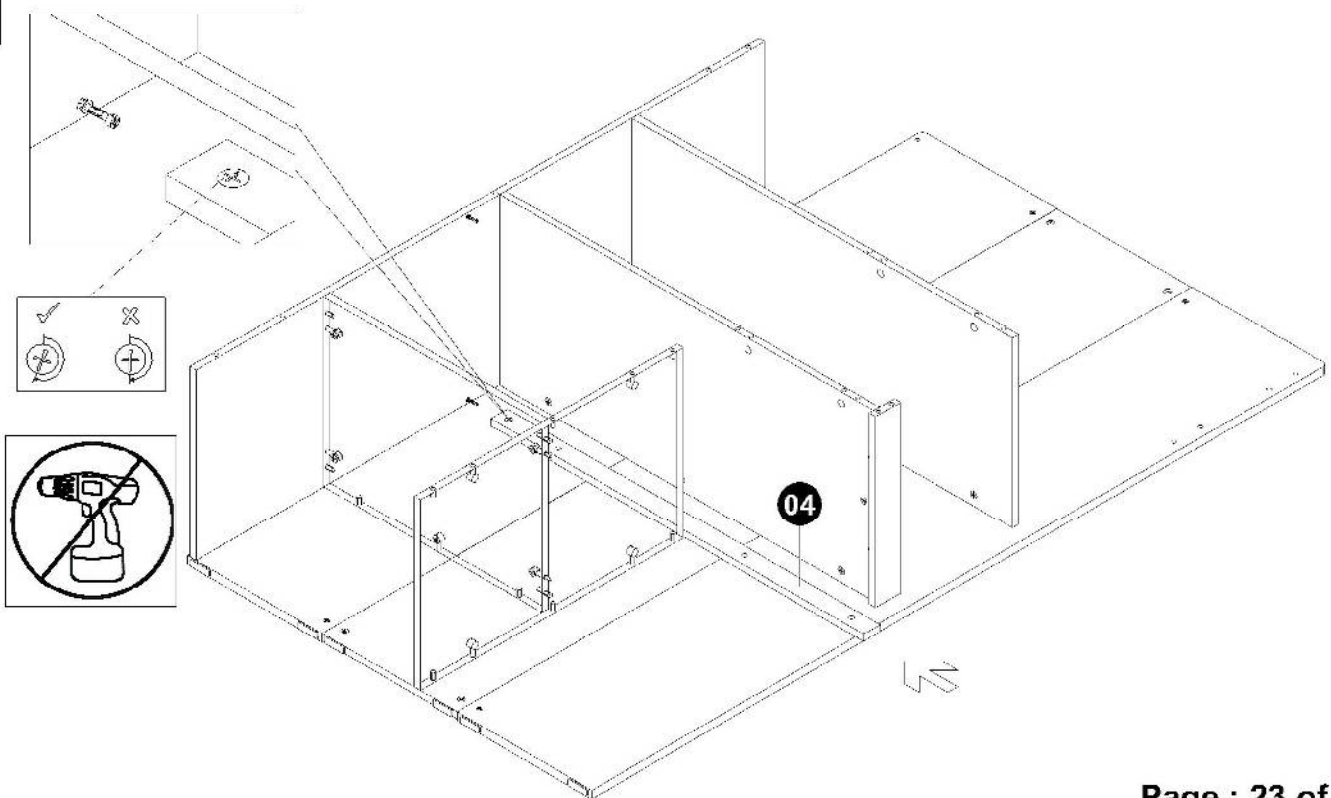
33



34



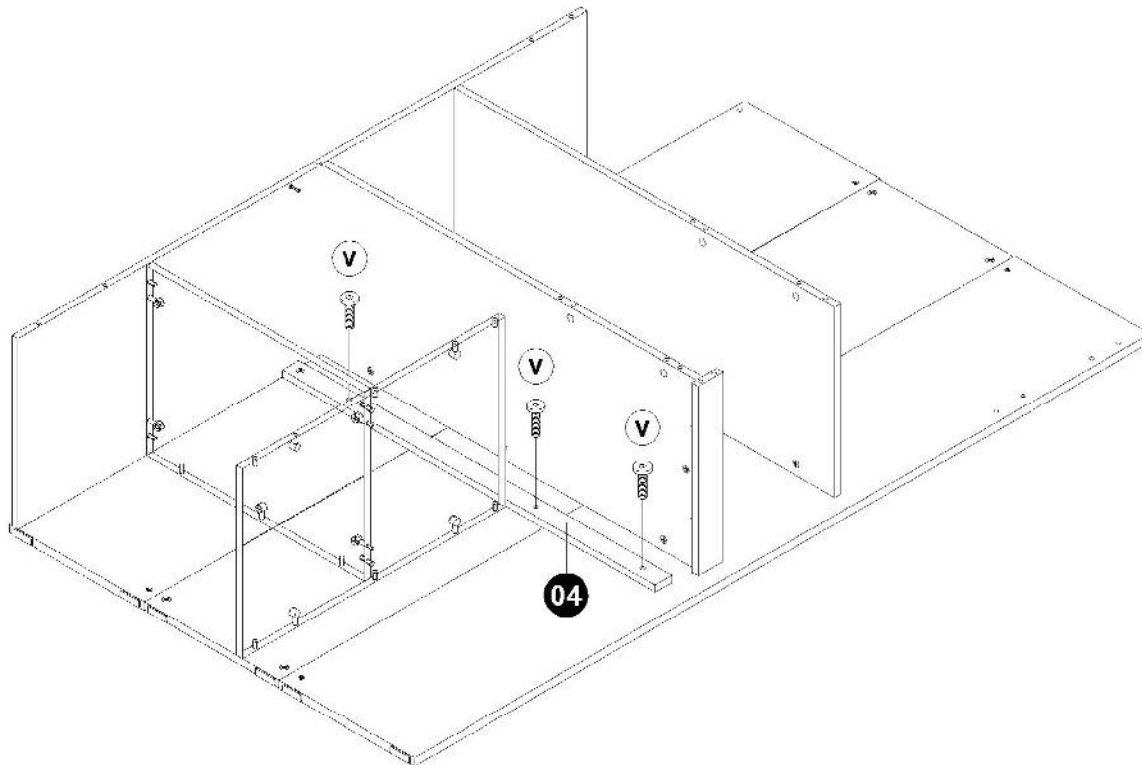
35



36



V x 3



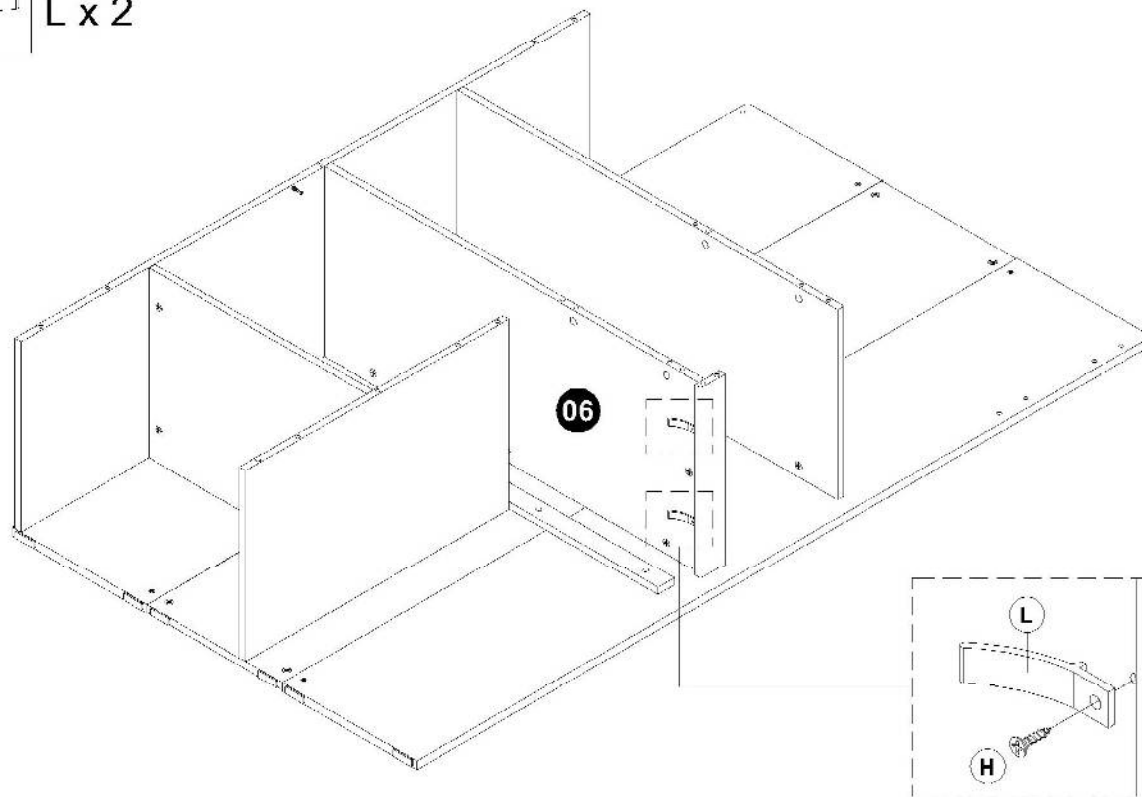
37



H x 2



L x 2





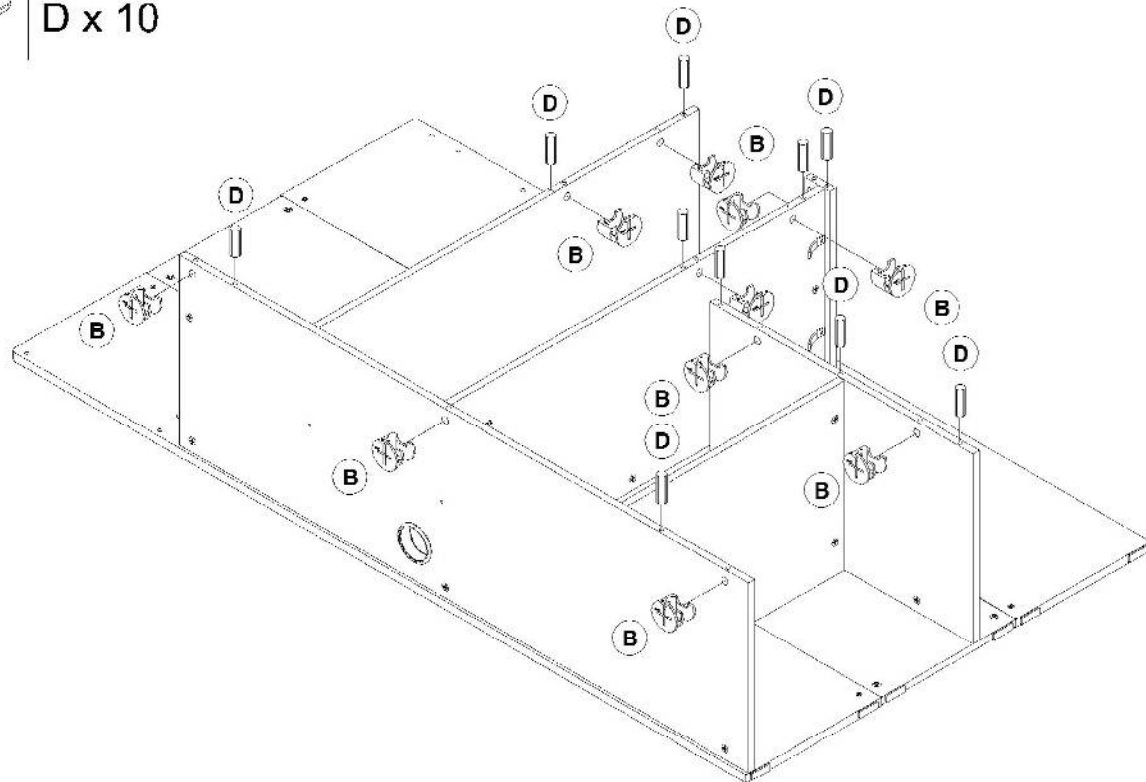
38



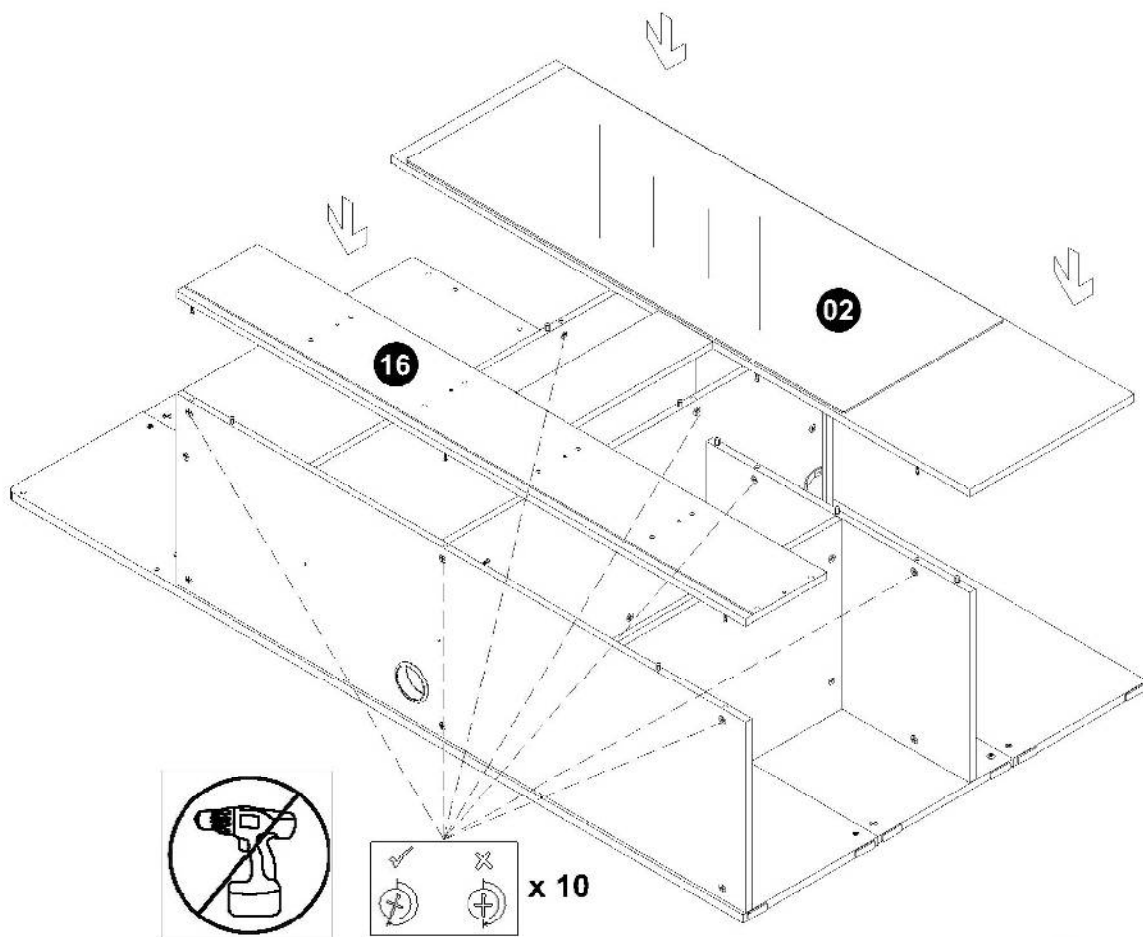
B x 10



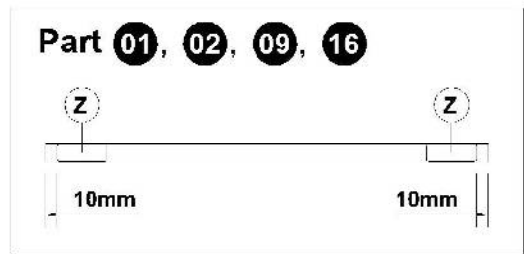
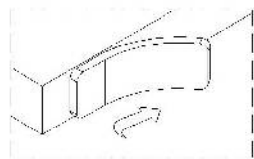
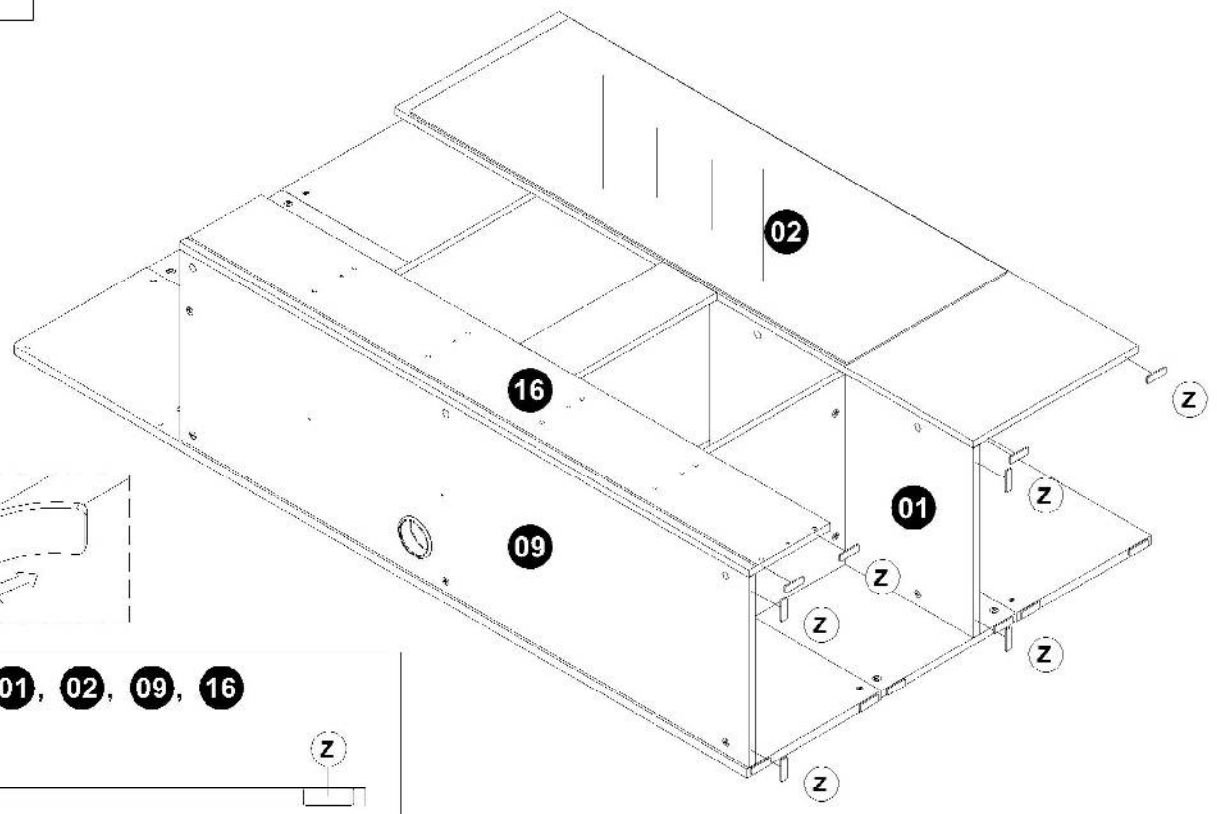
D x 10




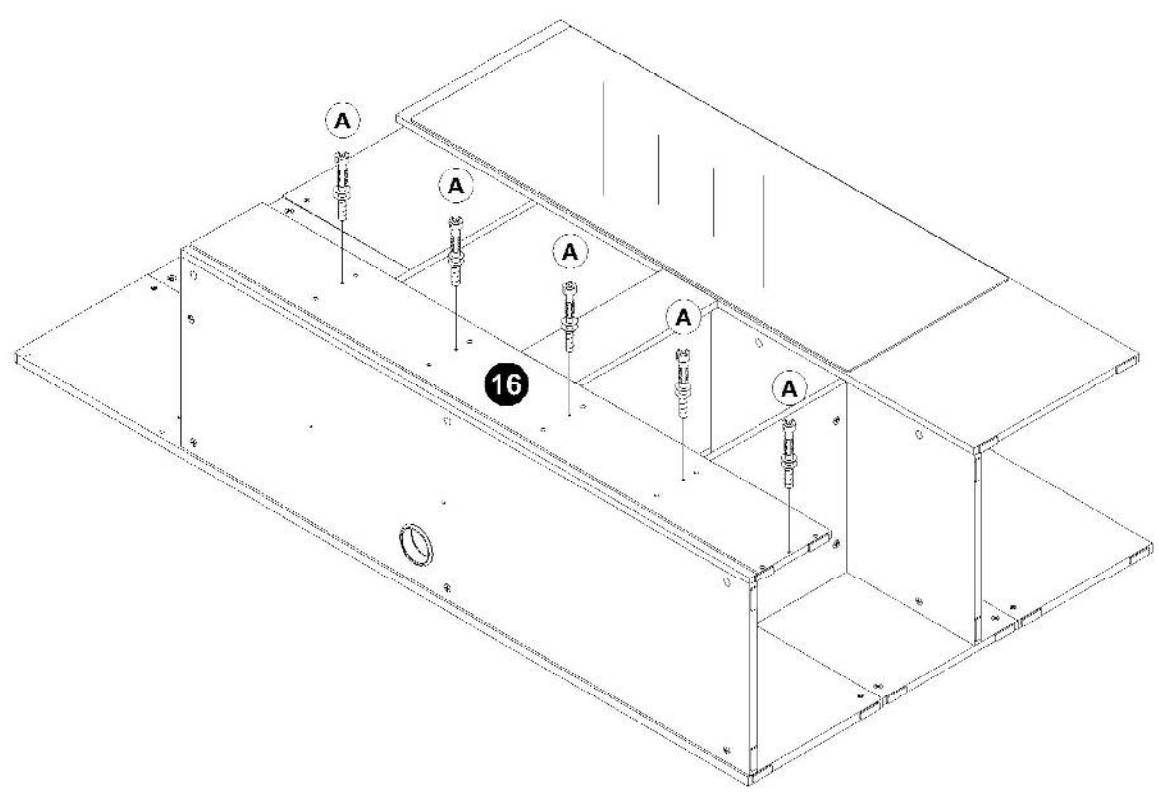
39



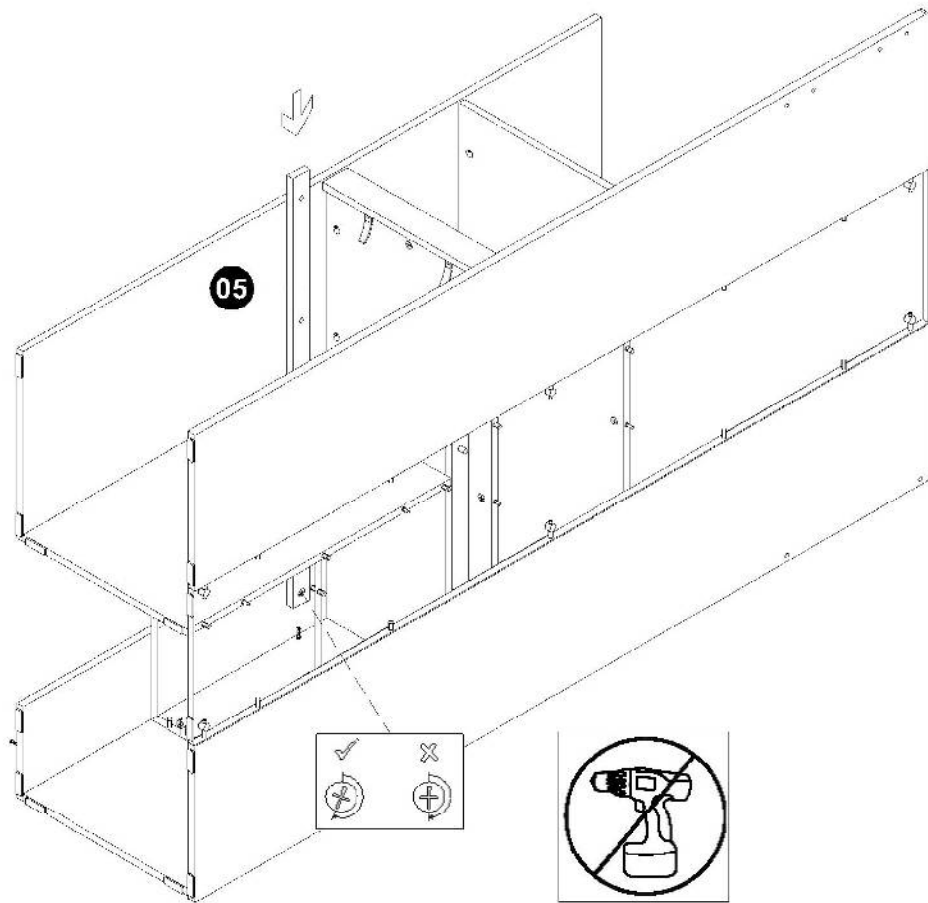
40  Z x 8



41  A x 5



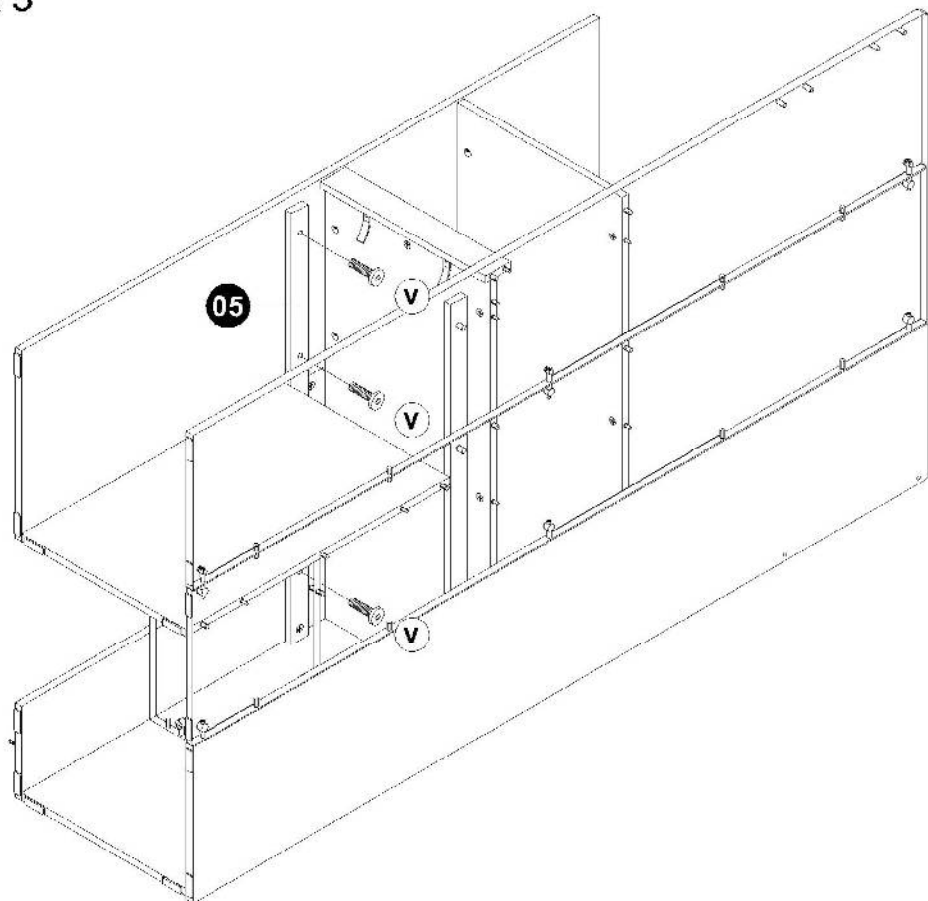
42



43



V x 3



44



A x 9



B x 18

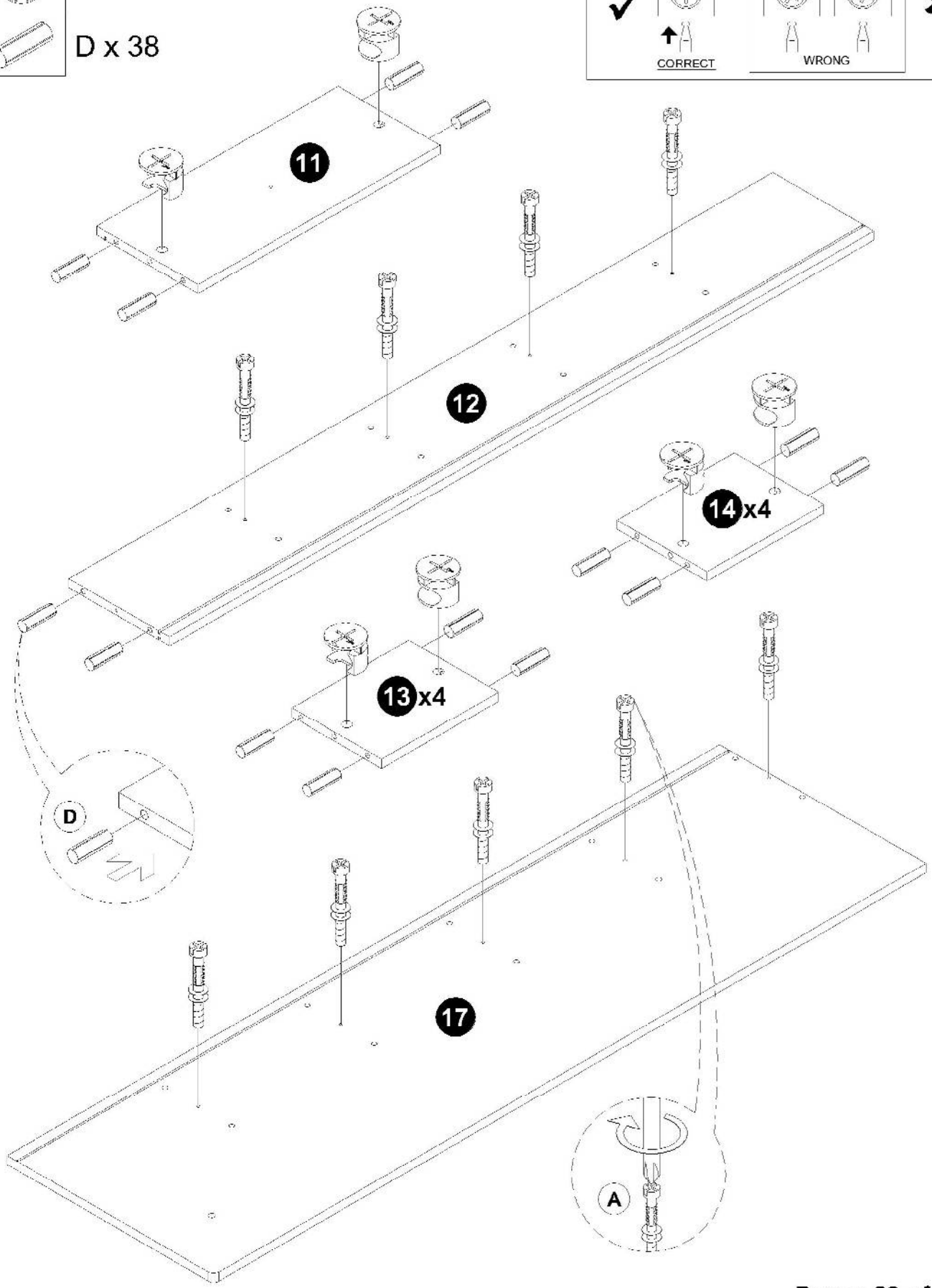


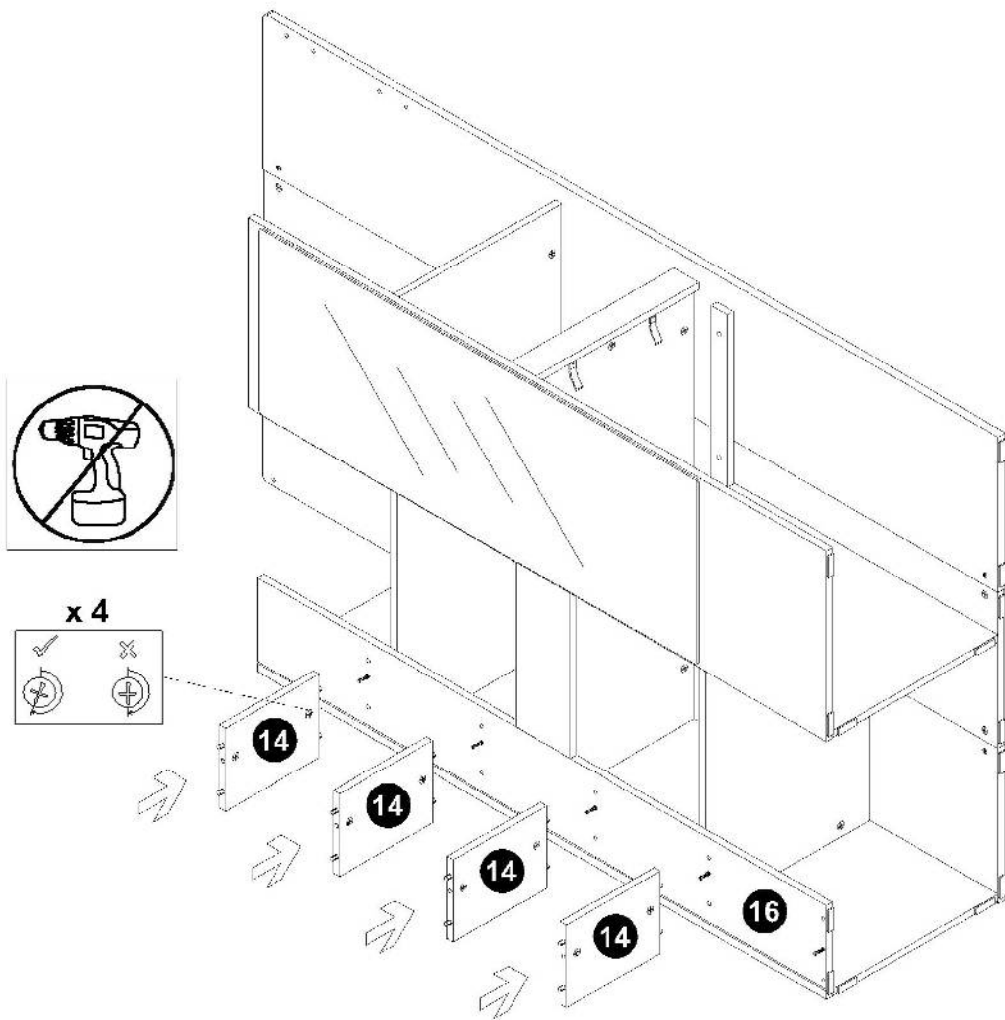
D x 38

**WHEN FITTING CAMS**  
ENSURE STARTING POSITION IS CORRECT  
BEFORE YOU INSERT CONNECTING BOLT  
TURN CLOCKWISE UNTIL SECURE

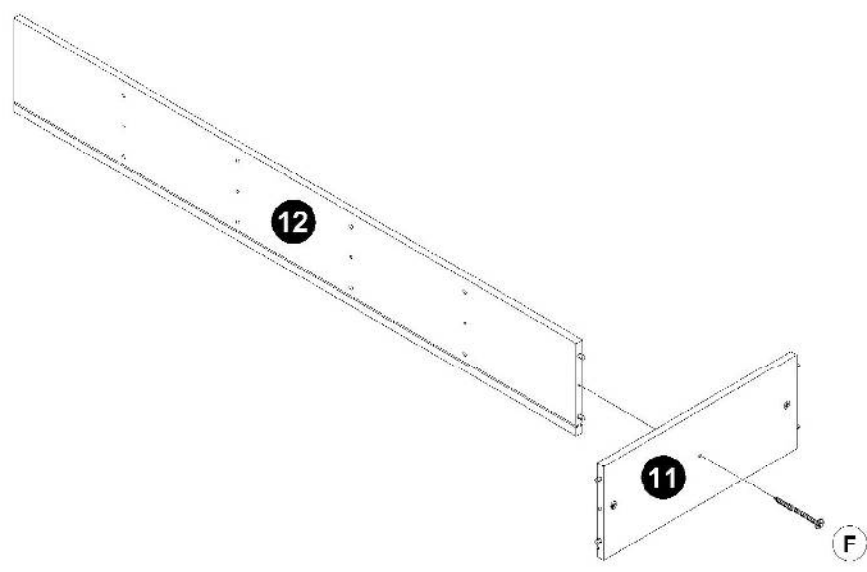
✓ X

↑  
CORRECT      WRONG

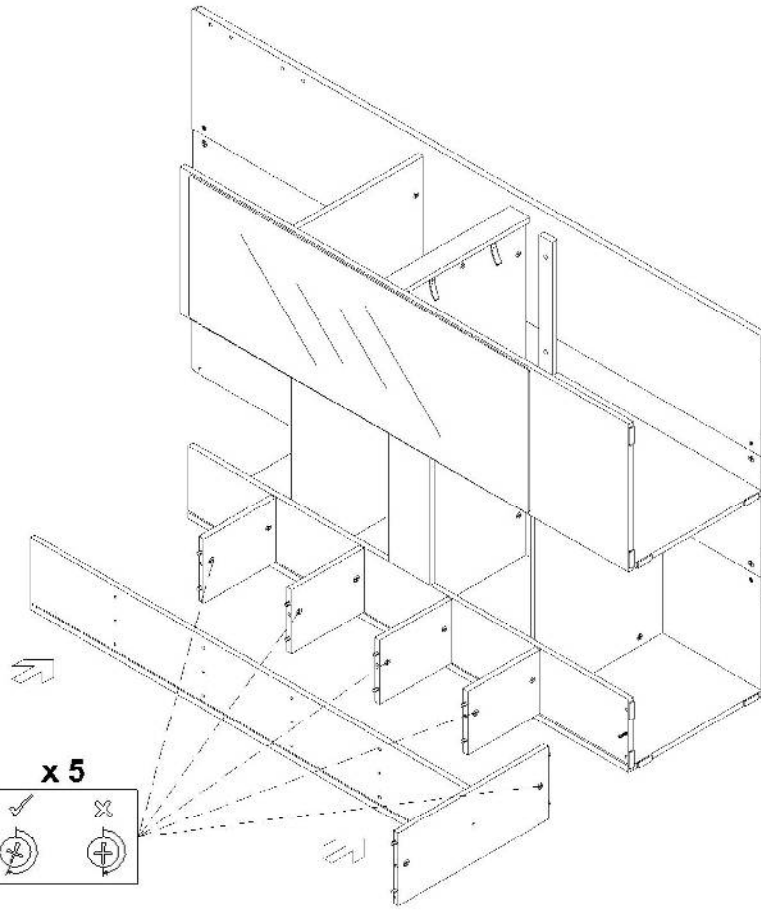


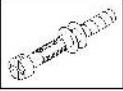


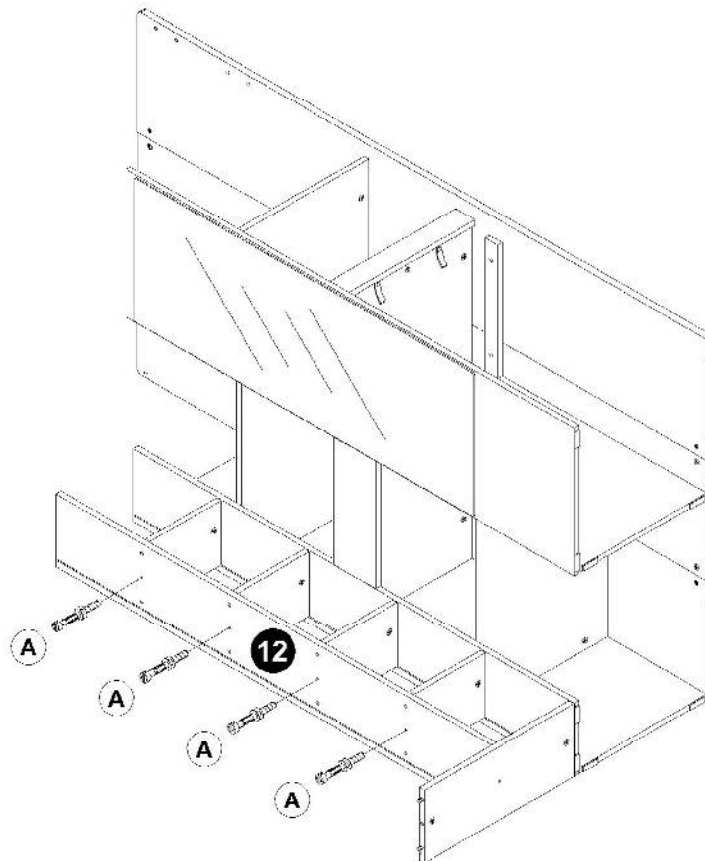
F x 1



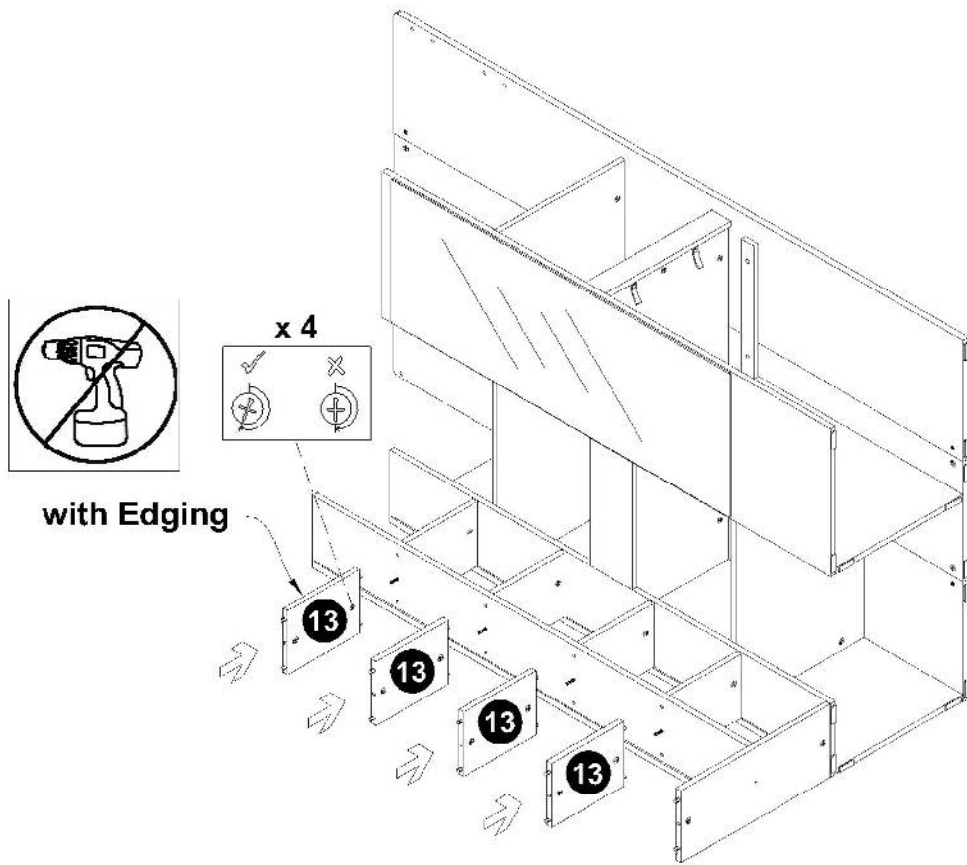
47



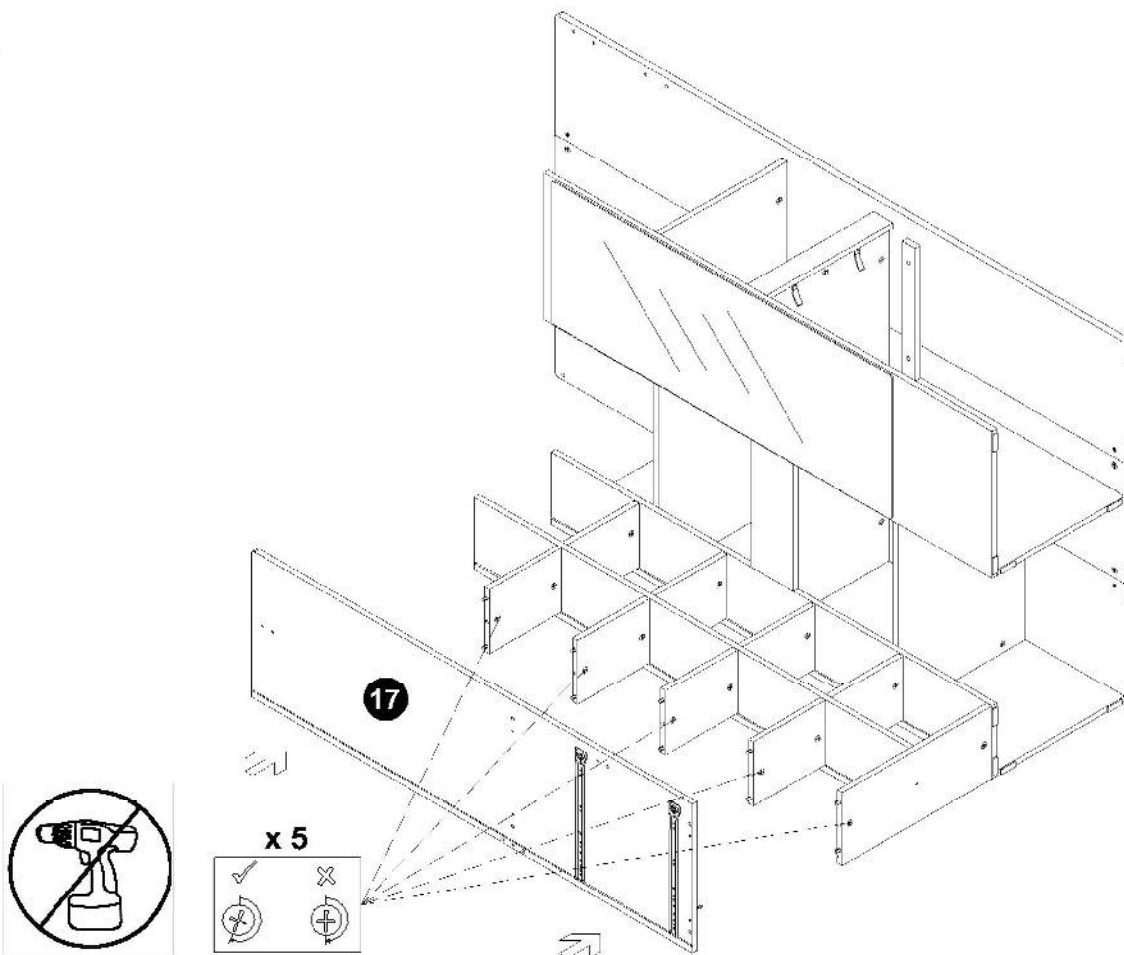
48  A x 4



49



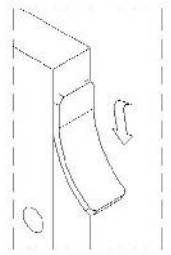
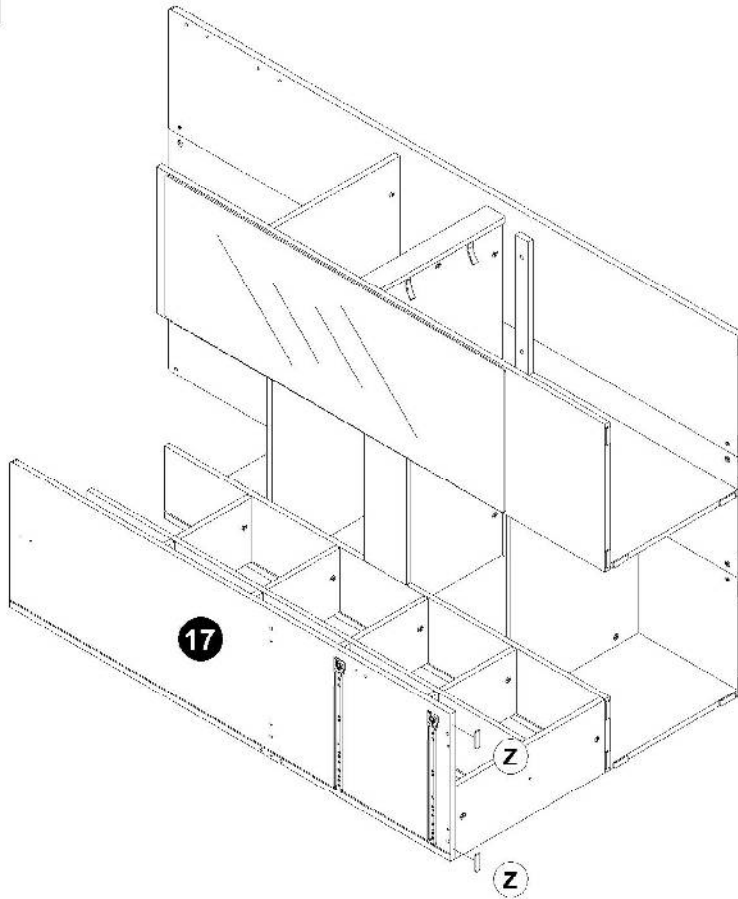
50



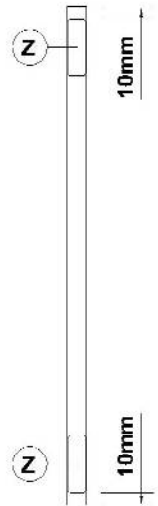
51



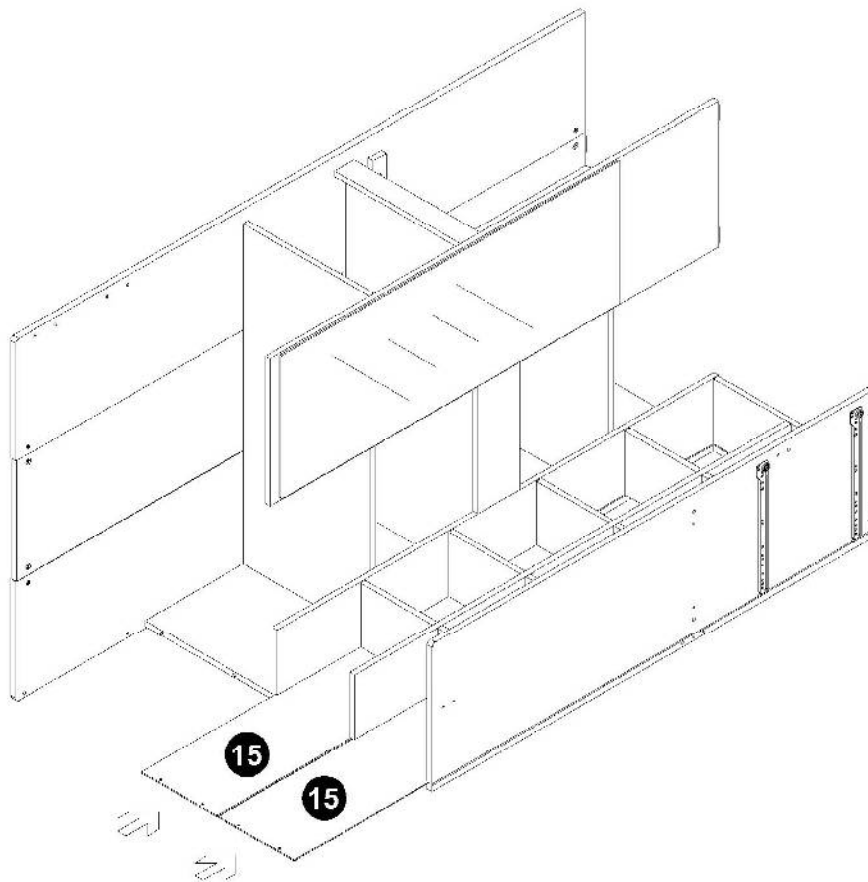
Z x 2



Part 17



52





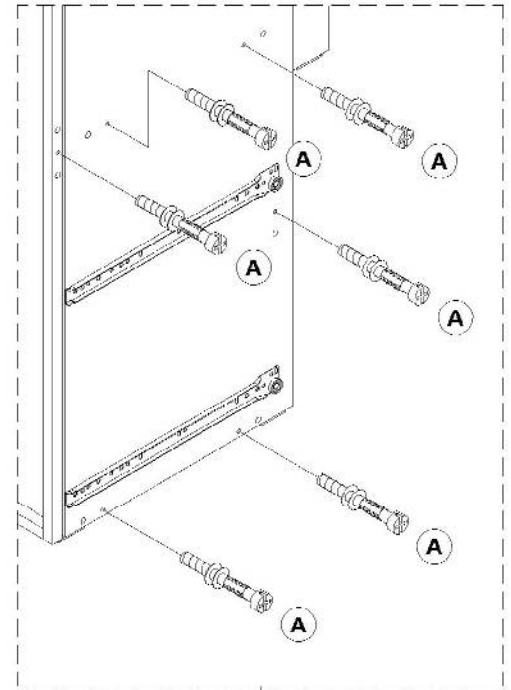
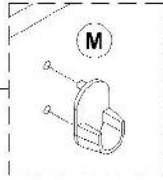
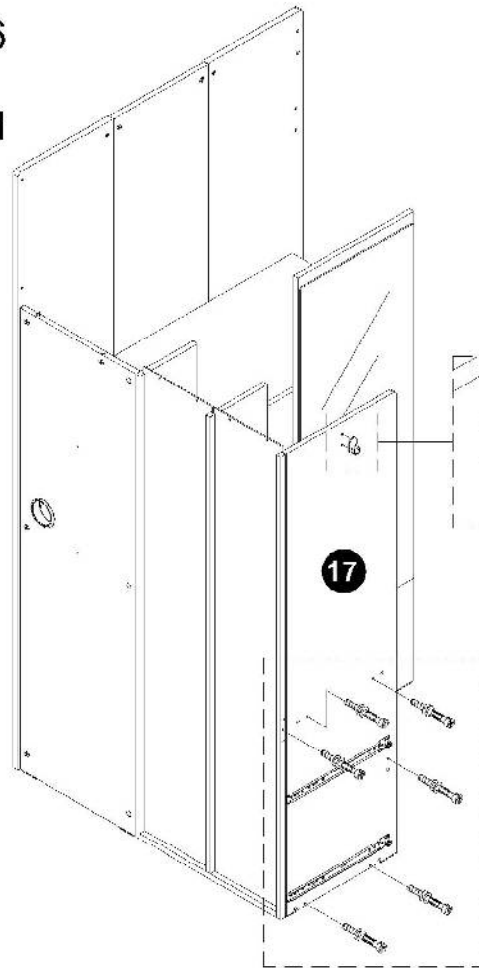
53



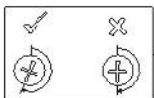
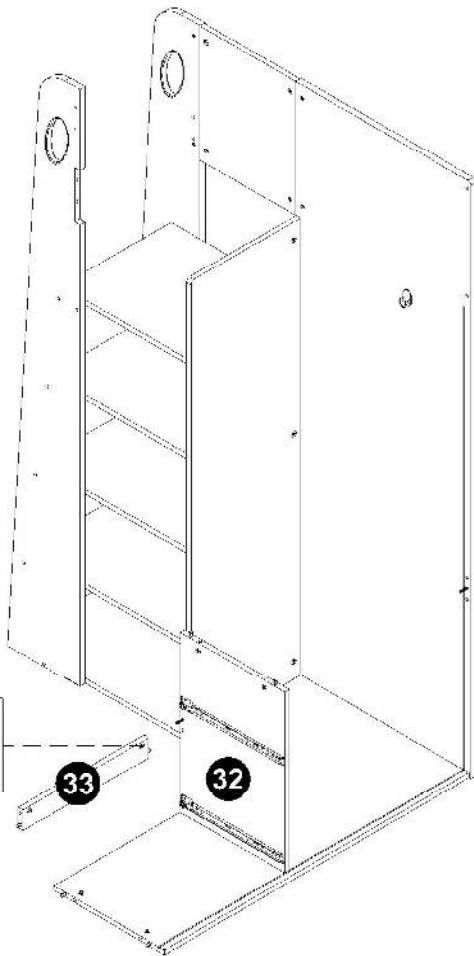
A x 6



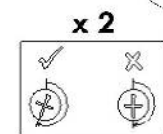
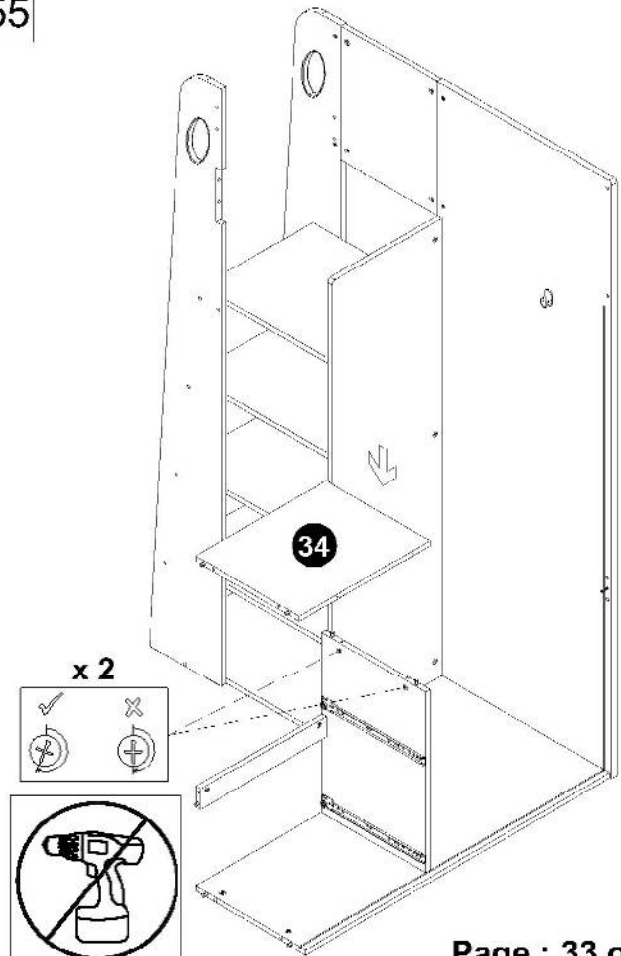
M x 1



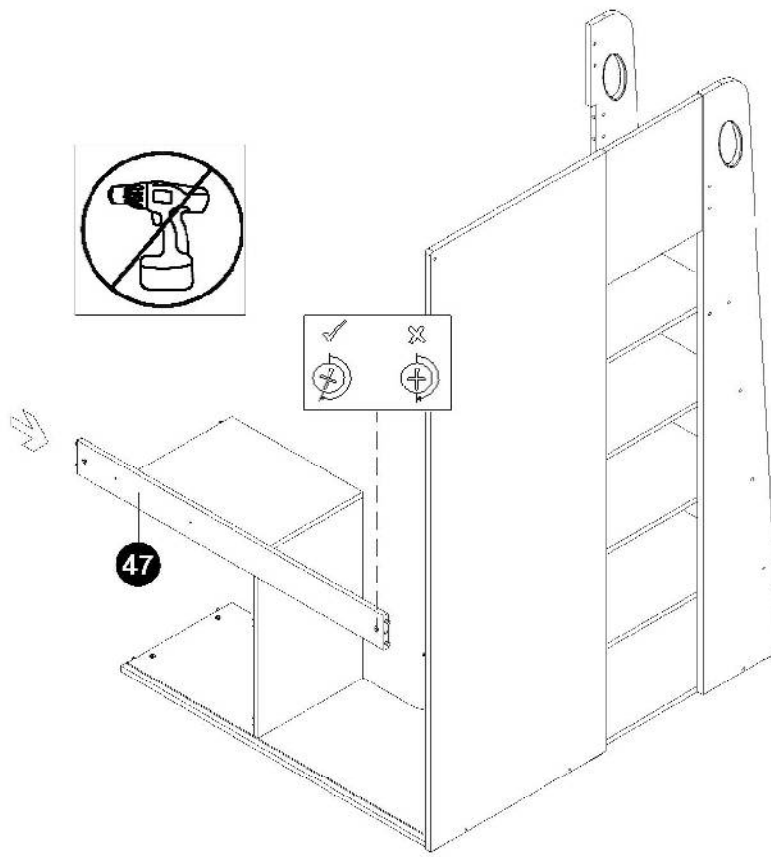
54



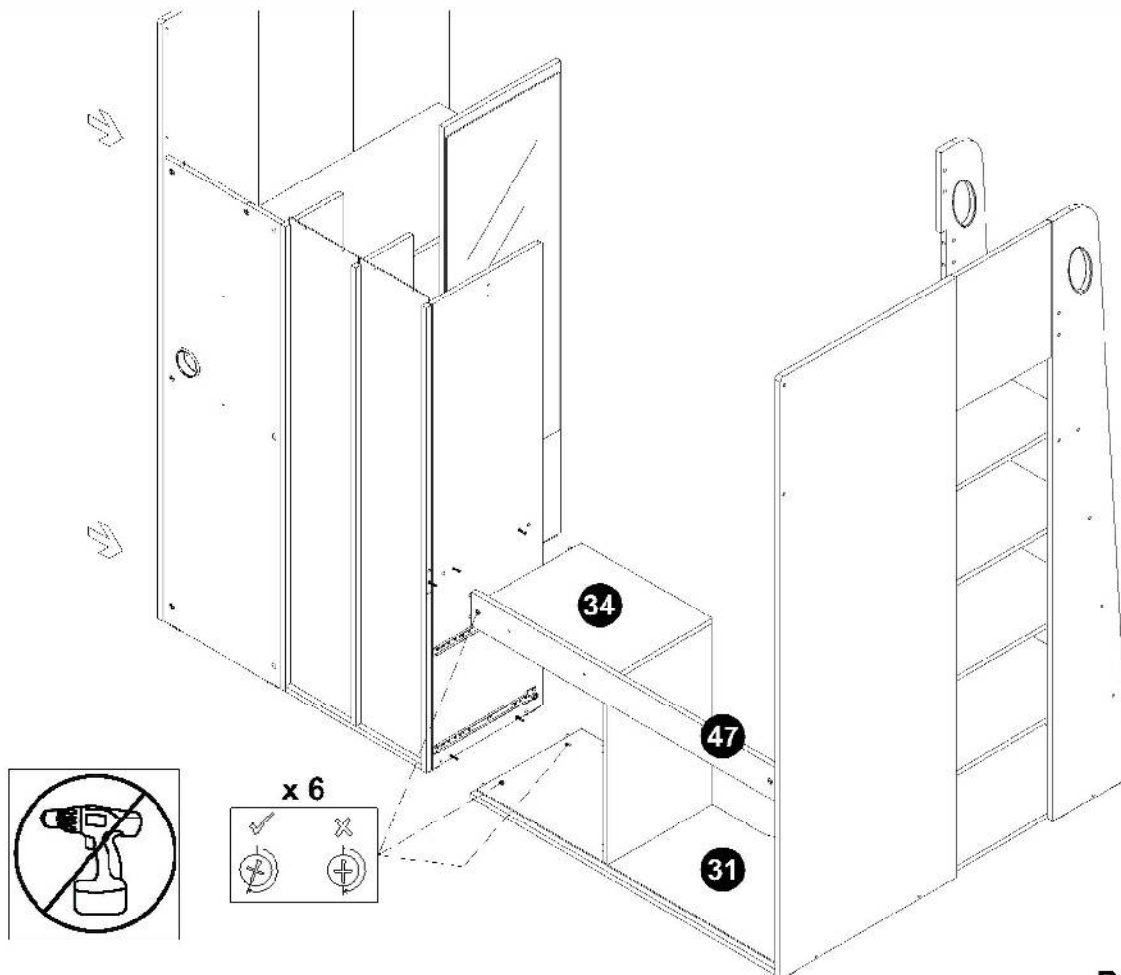
55



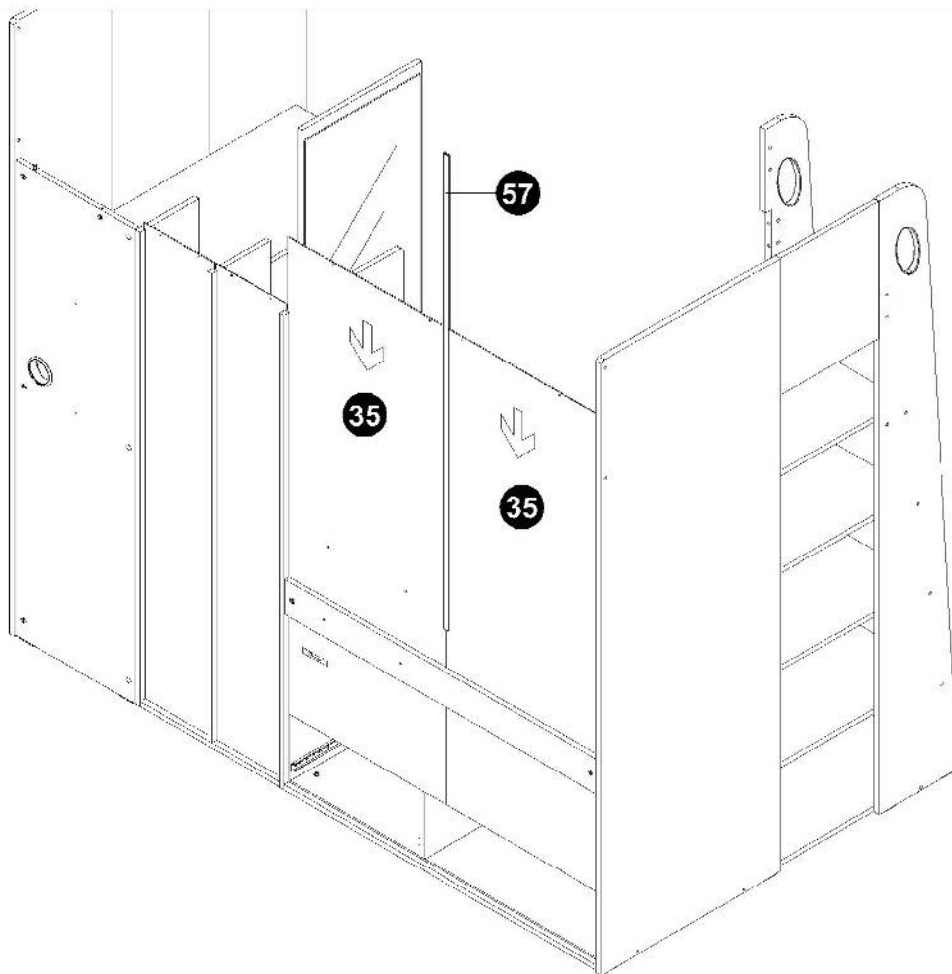
56



57



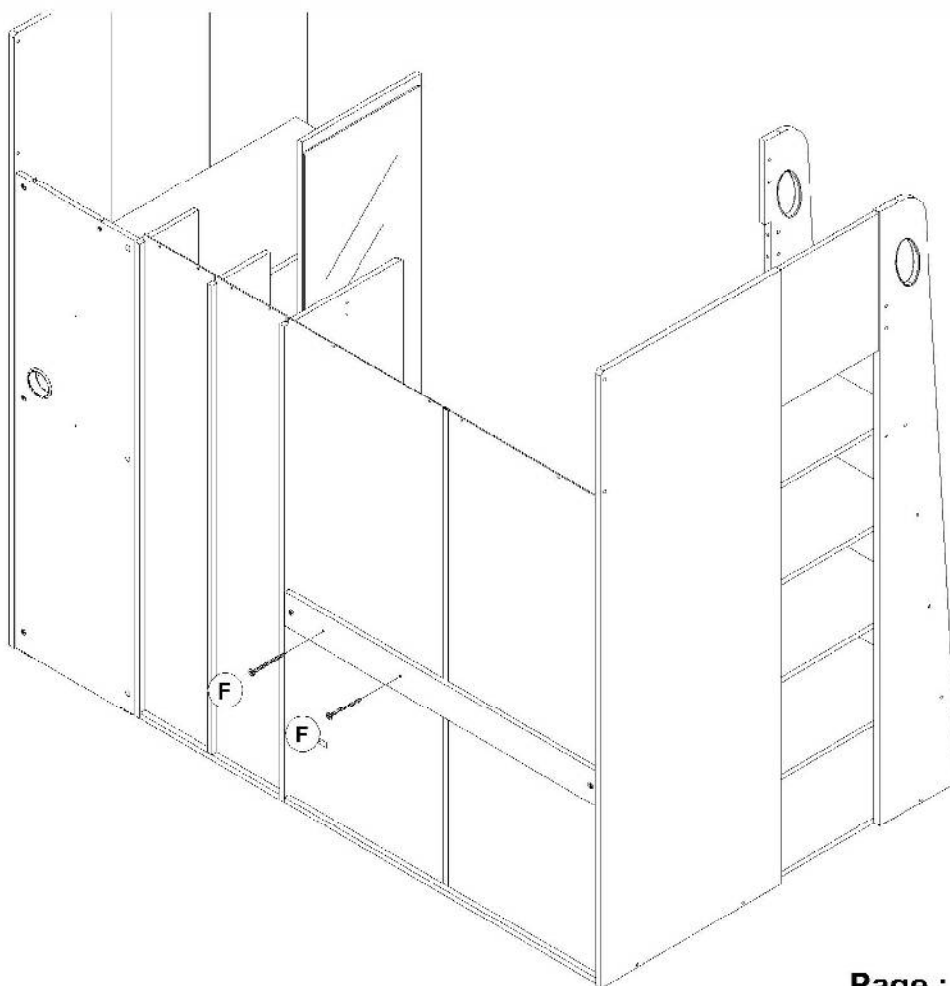
58



59



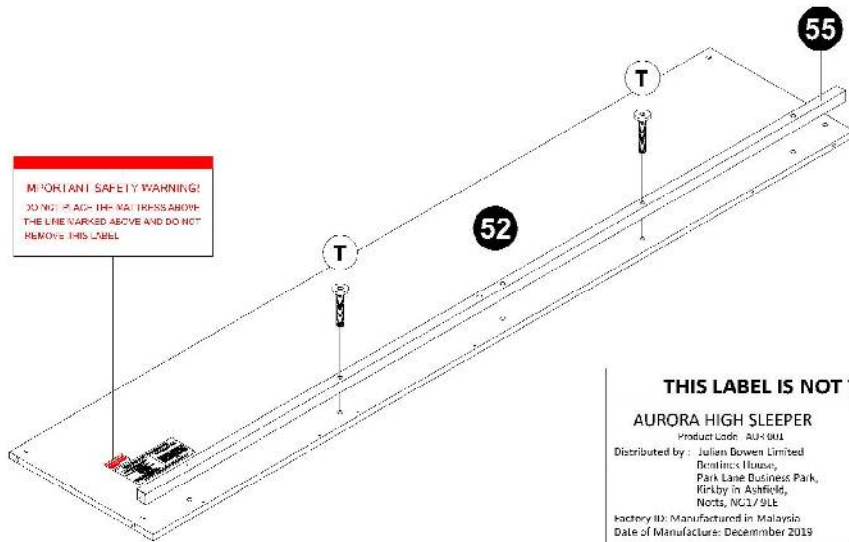
F x 2



60



T x 2



61



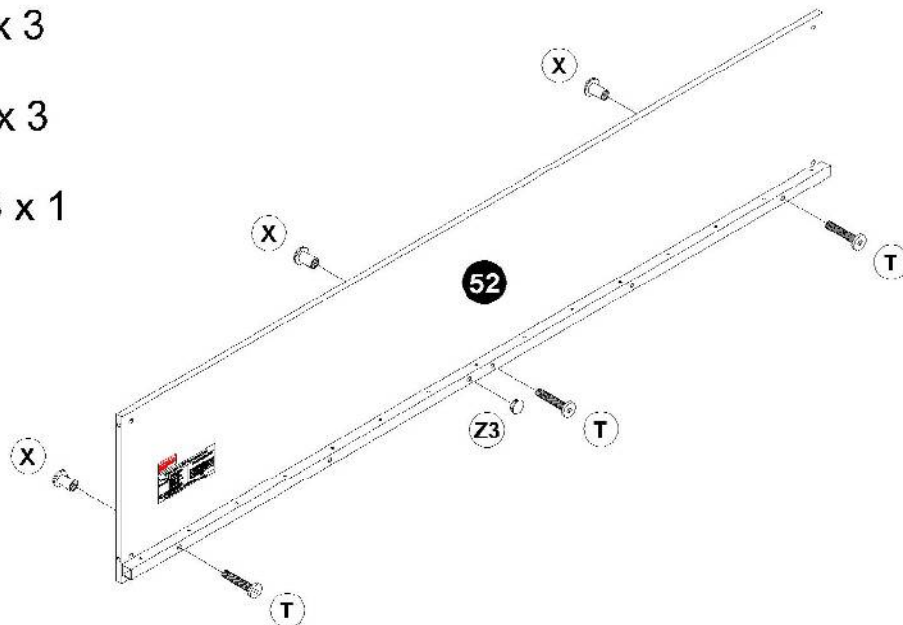
T x 3



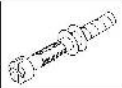
X x 3



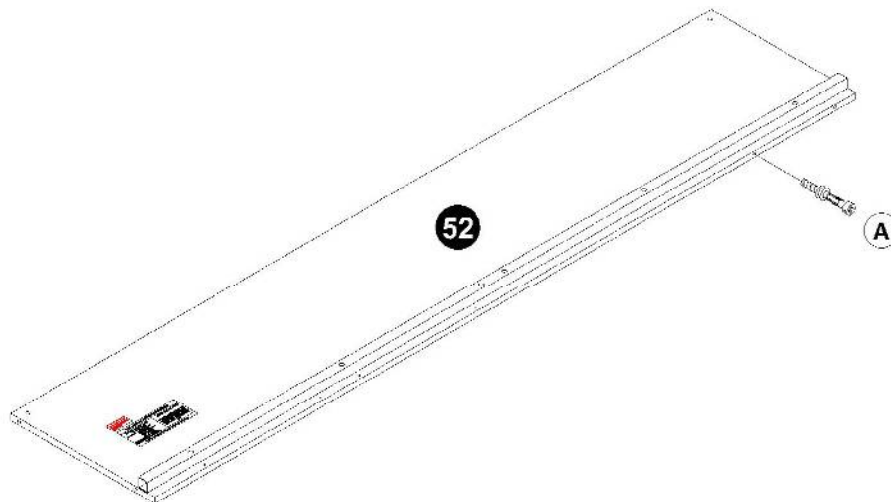
Z3 x 1



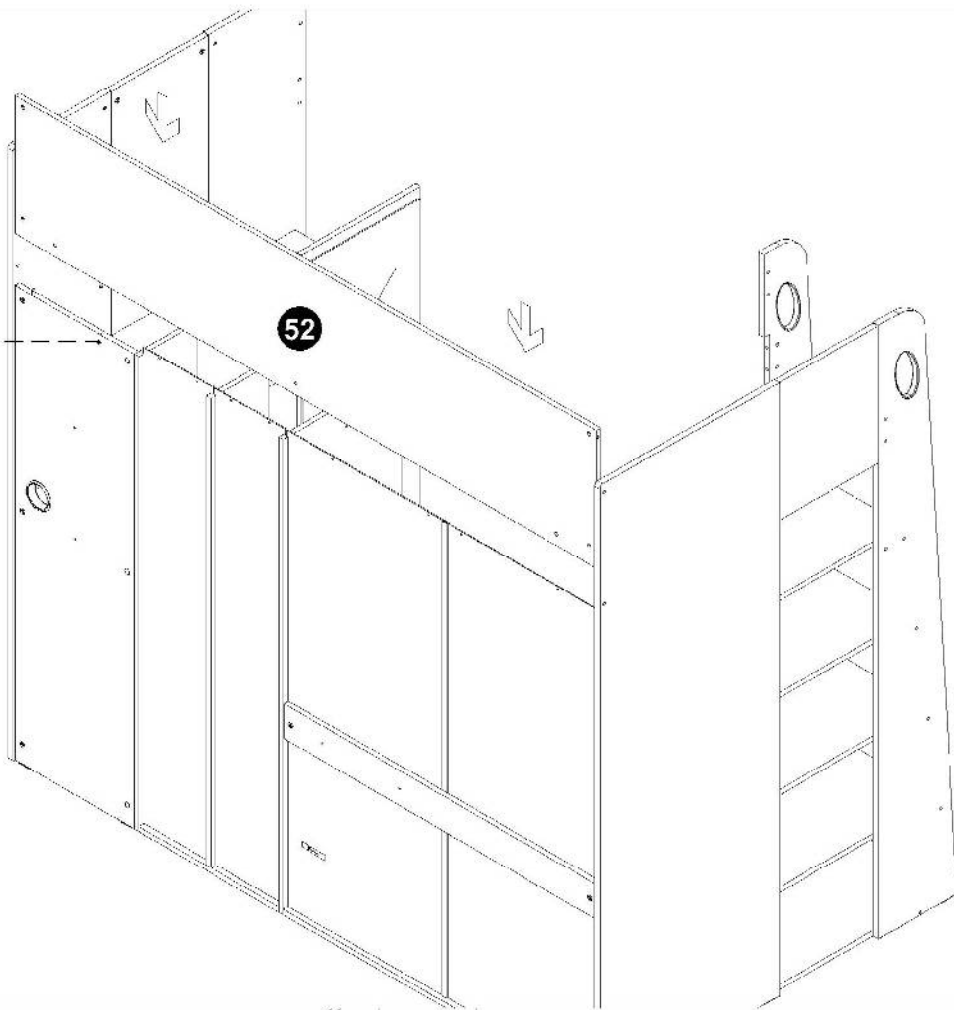
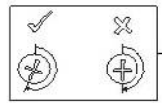
62



A x 1



63



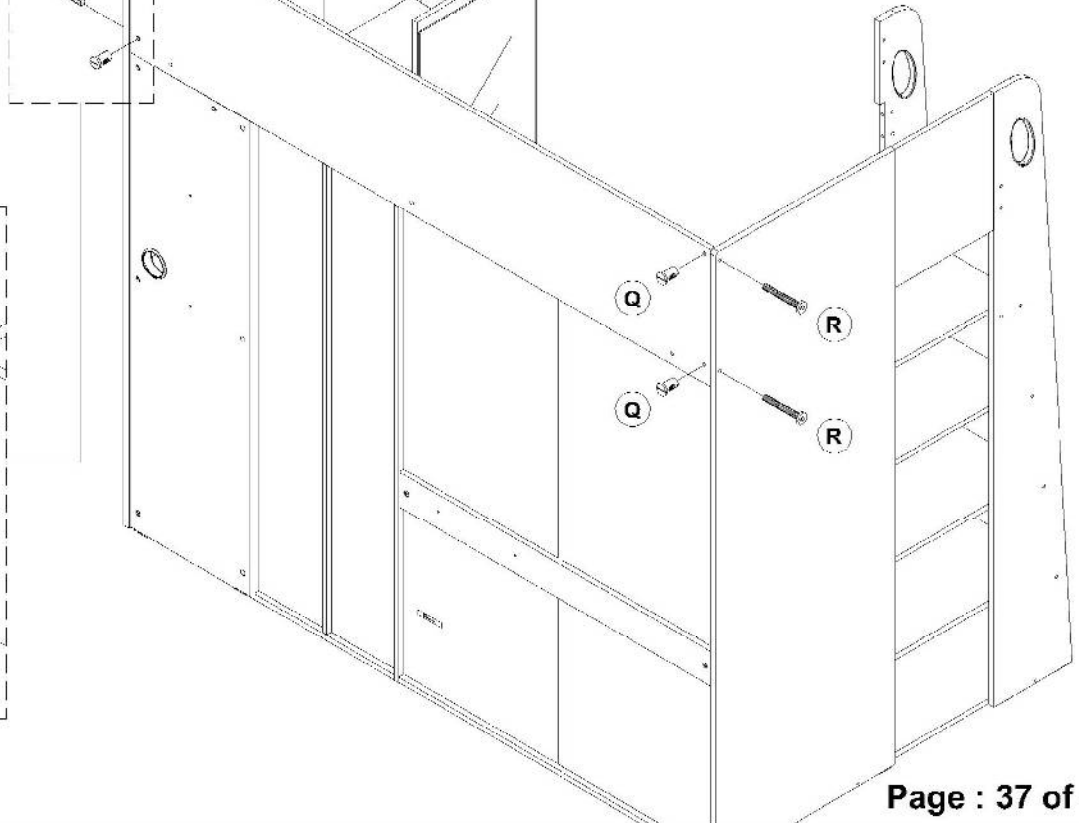
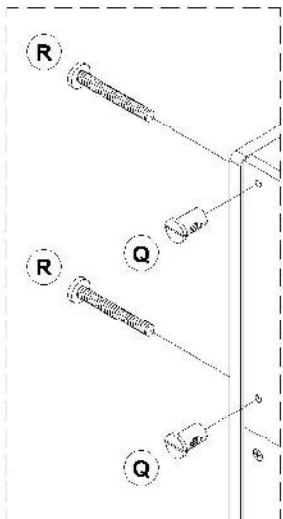
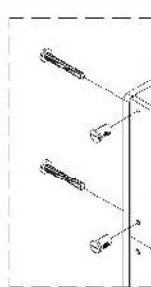
64



Q x 4



R x 4



65



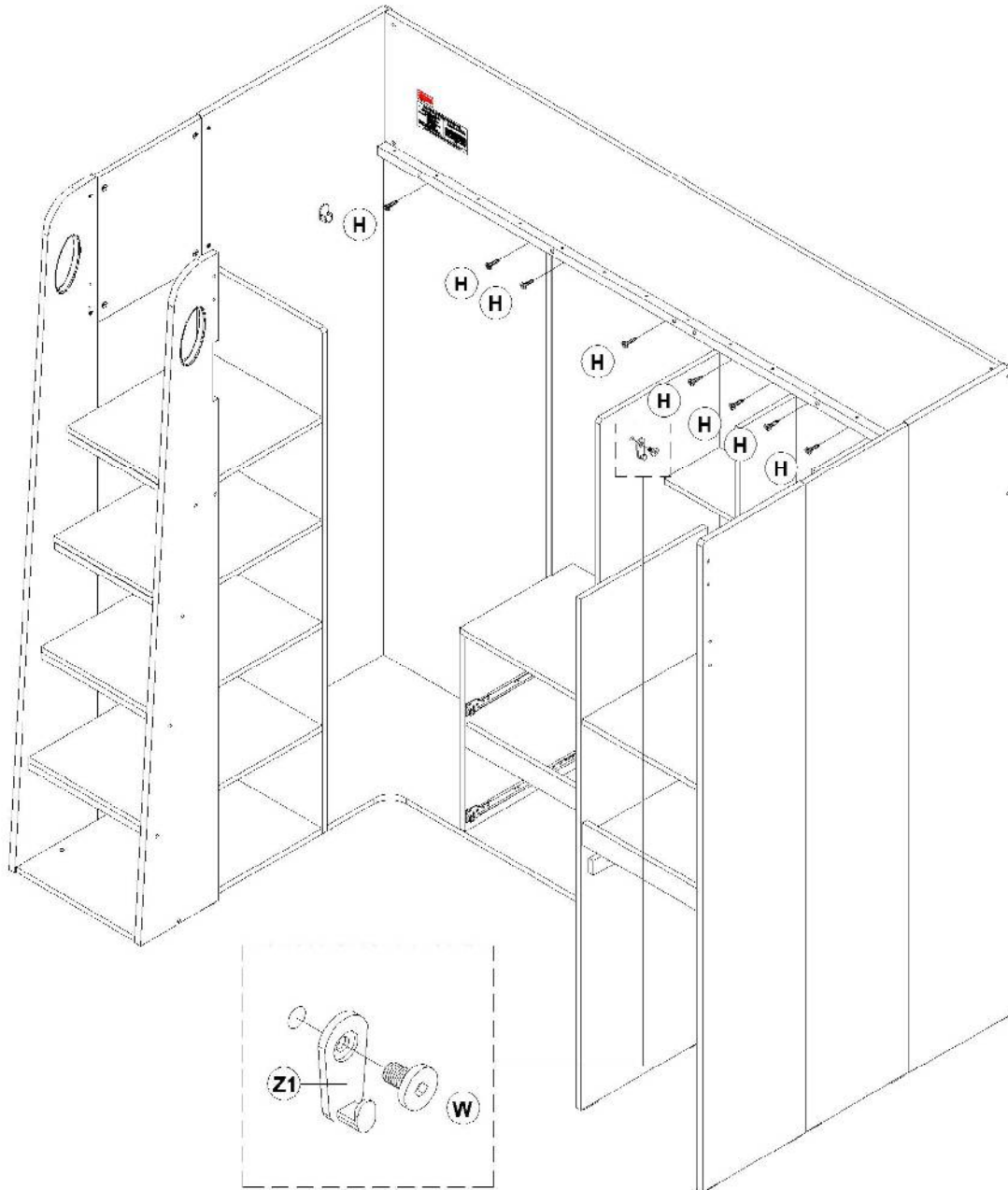
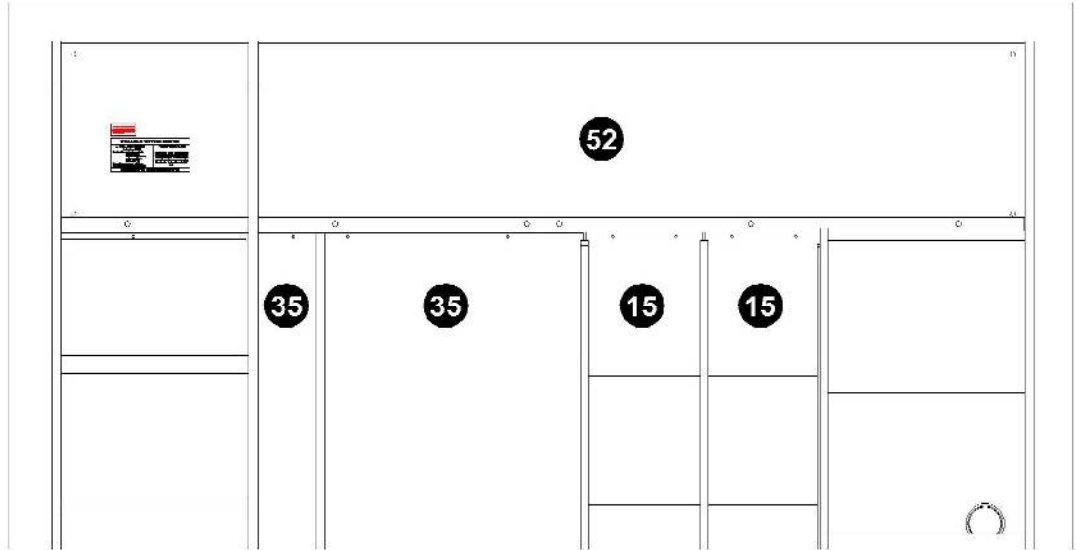
H x 8



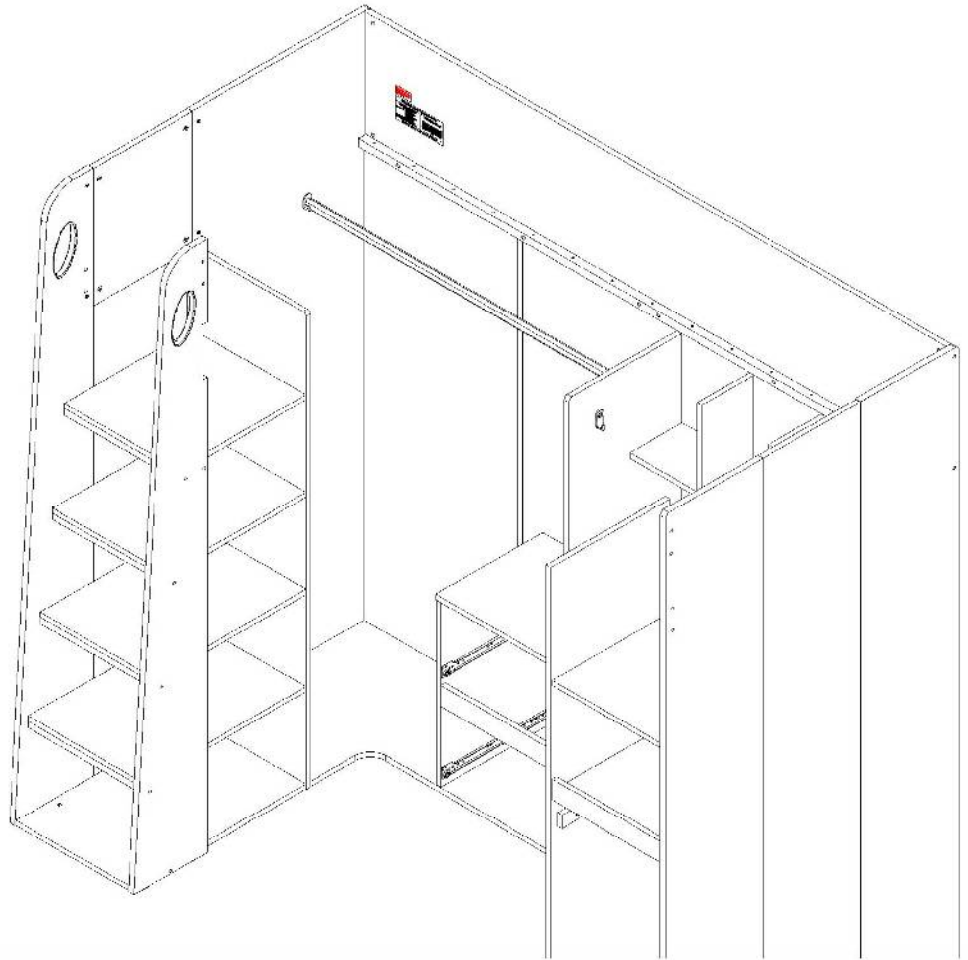
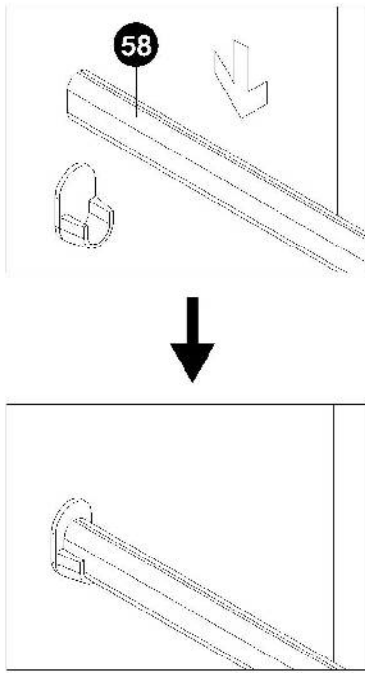
W x 1



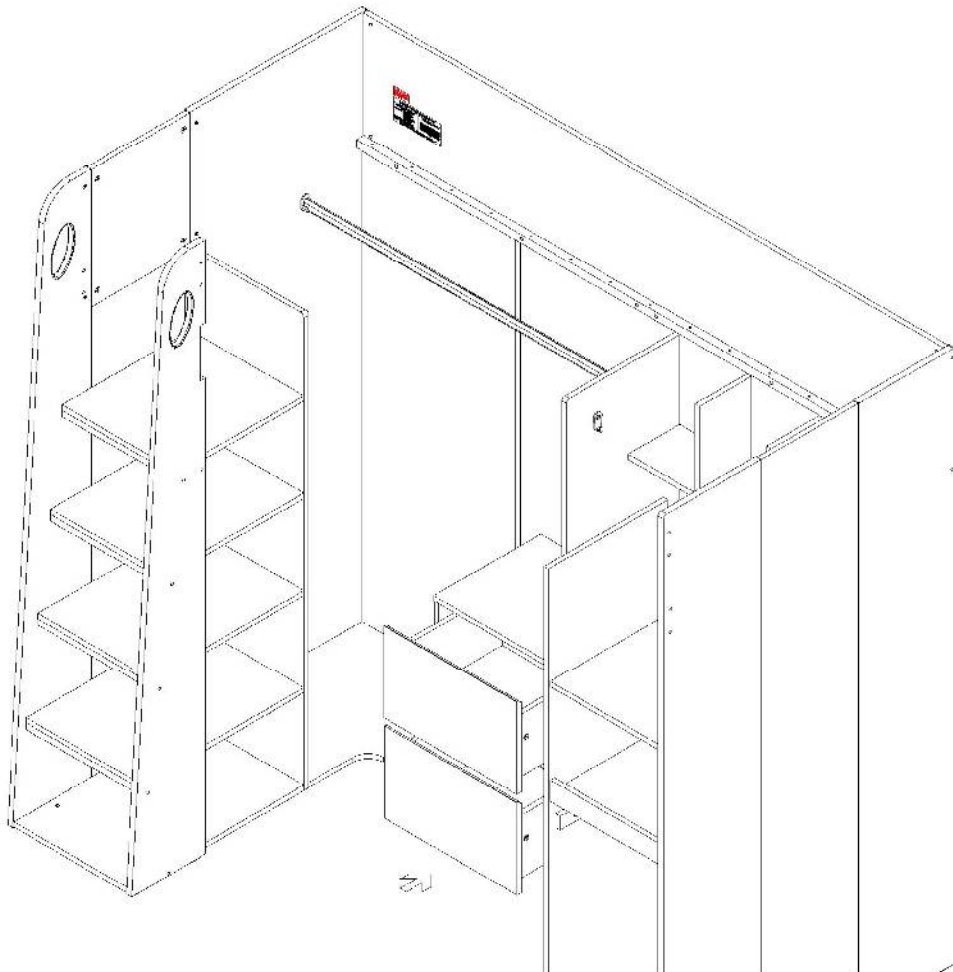
Z1 x 1



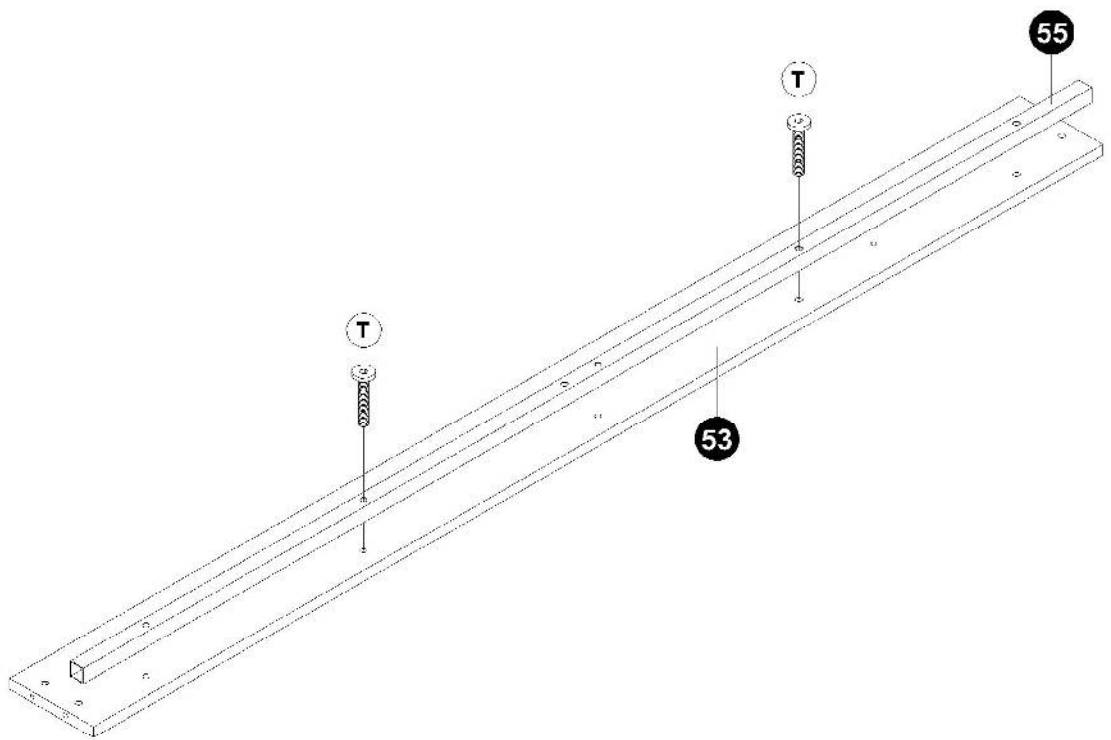
66






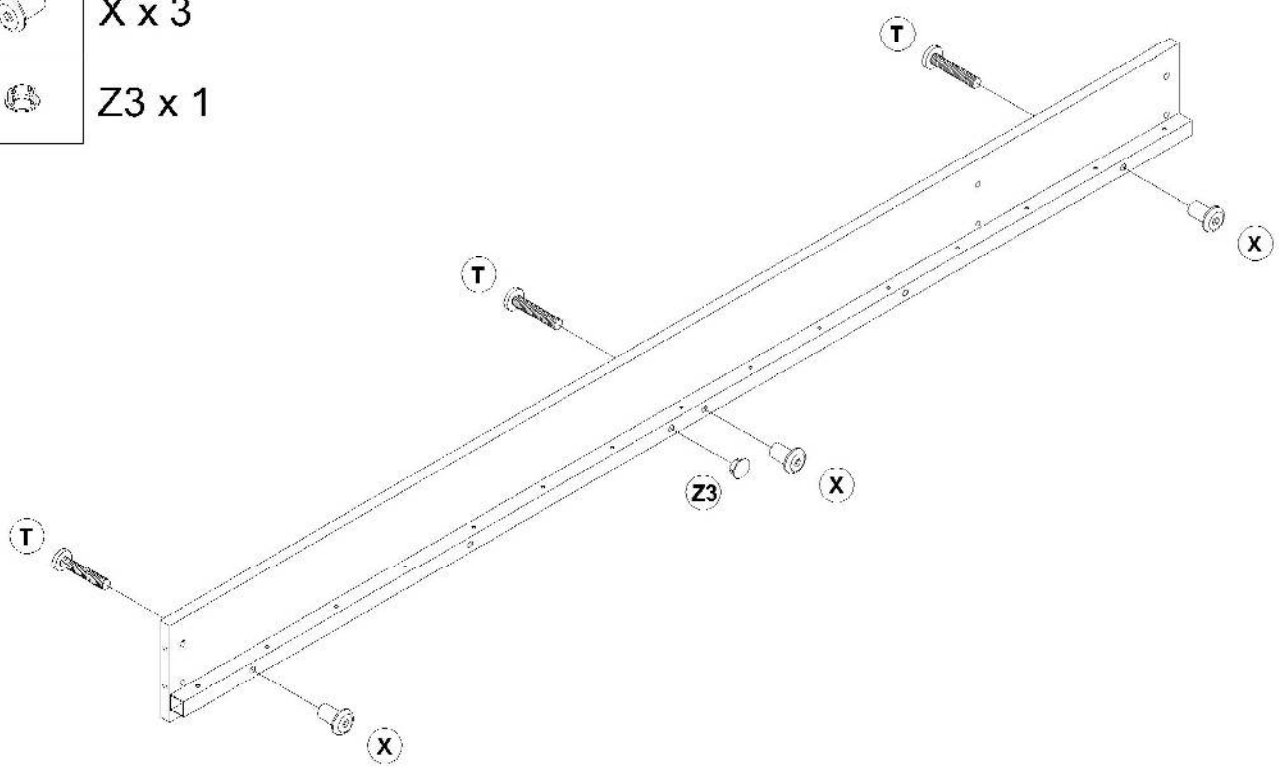
67



68  T x 2



69  T x 3  
 X x 3  
 Z3 x 1

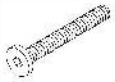




70



P x 4

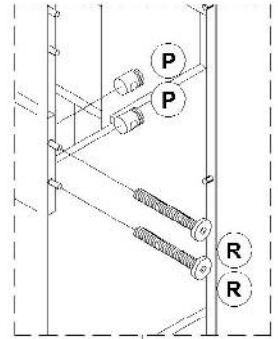


R x 4

R

P

53



71



P x 2



R x 2

R

R

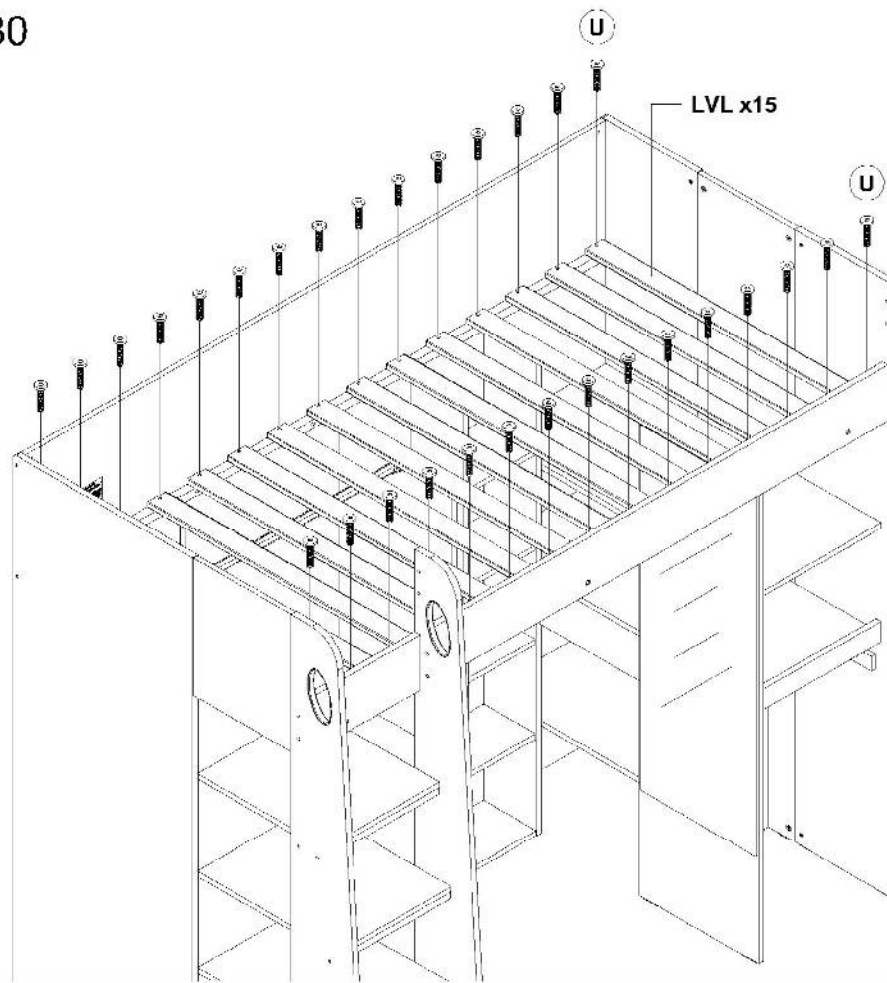
P

P

72



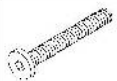
U x 30



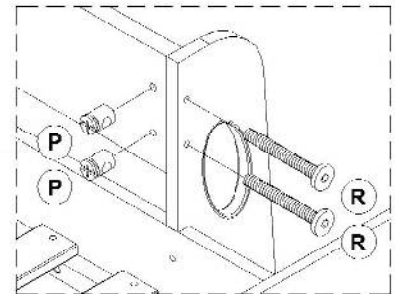
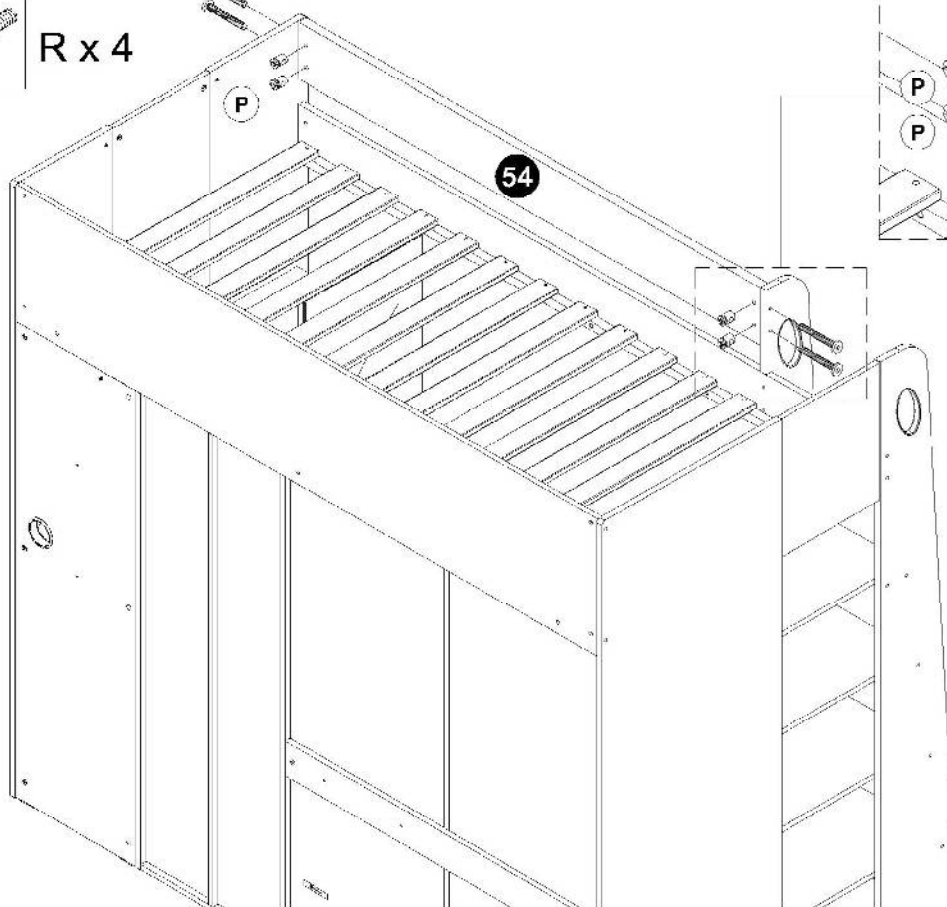
73




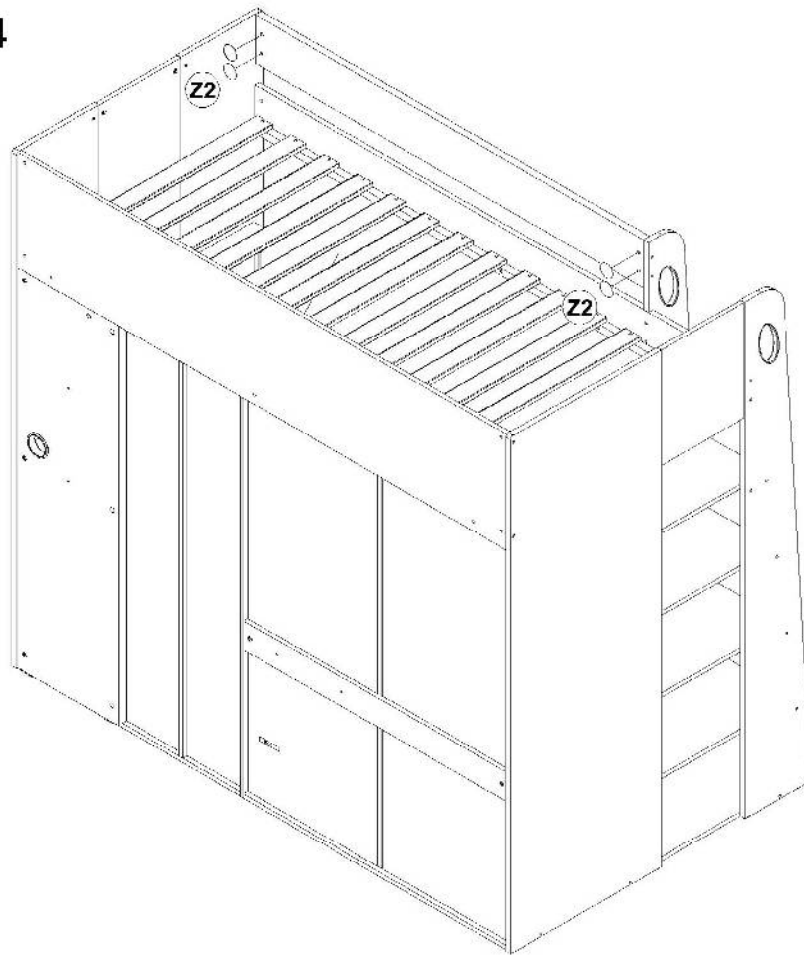
P x 4 R




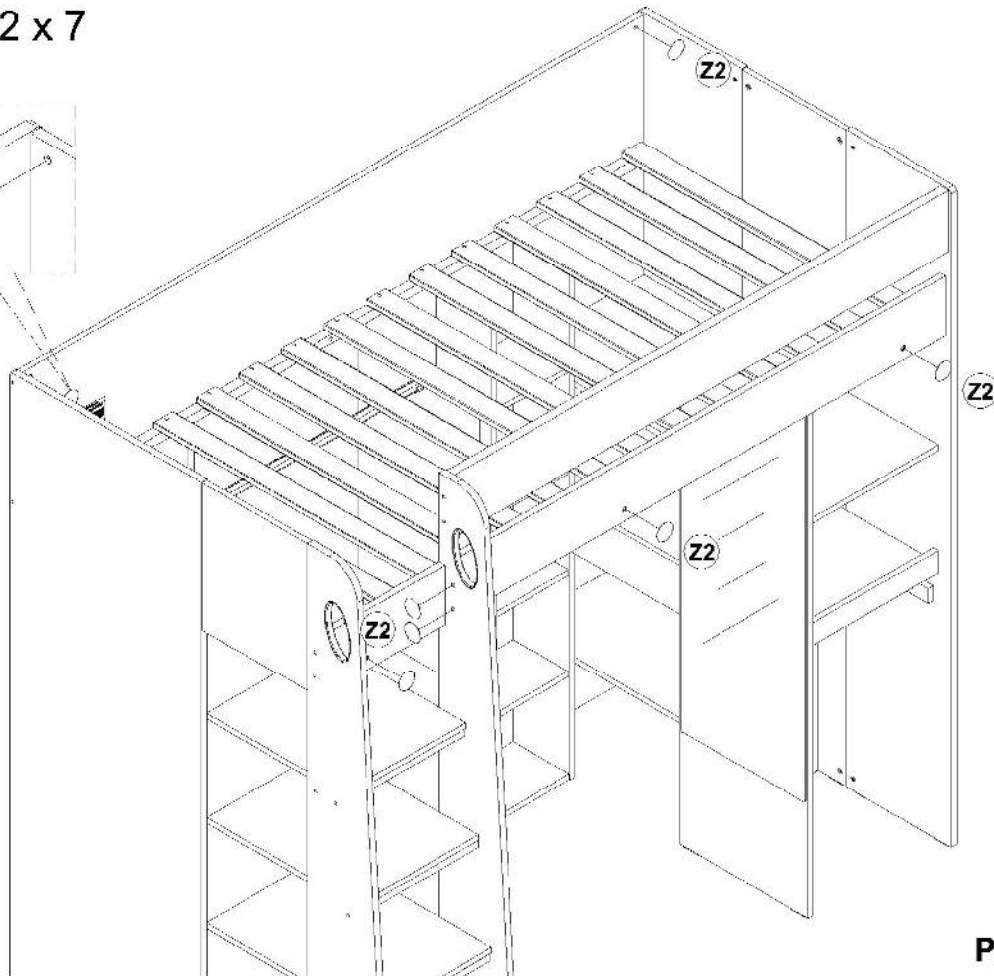
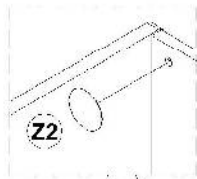
R x 4



74  Z2 x 4



75  Z2 x 7



76



A x 14



B x 14

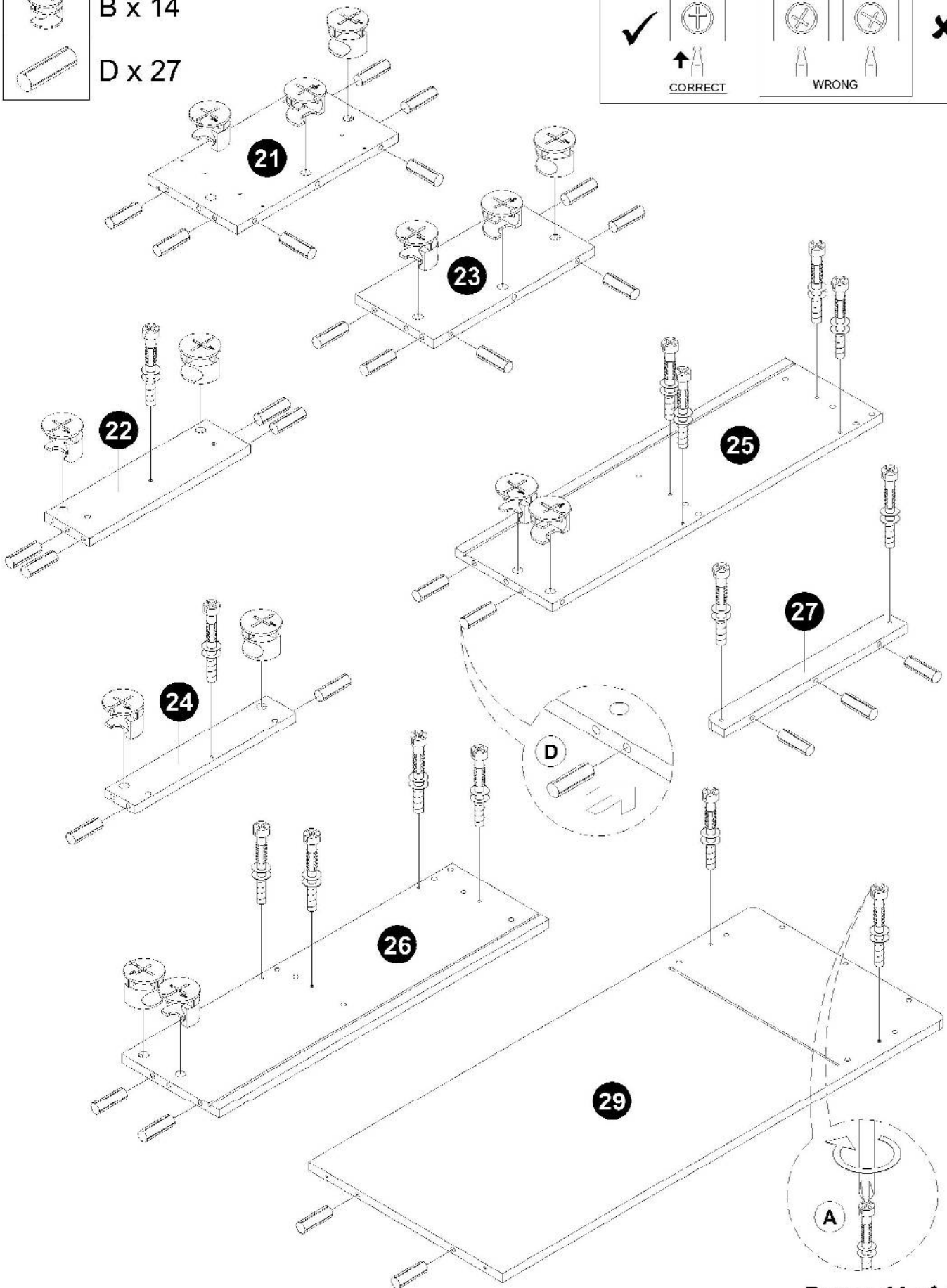


D x 27

**WHEN FITTING CAMS**  
 ENSURE STARTING POSITION IS CORRECT  
 BEFORE YOU INSERT CONNECTING BOLT  
 TURN CLOCKWISE UNTIL SECURE

✓ ✗

↑  
CORRECT      WRONG



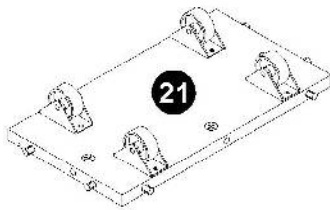
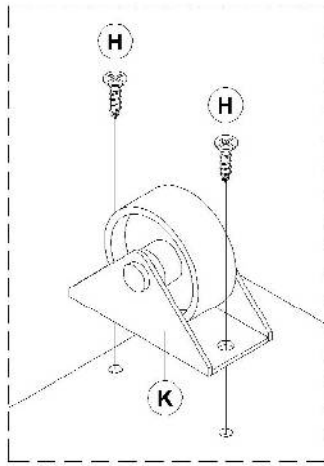
77



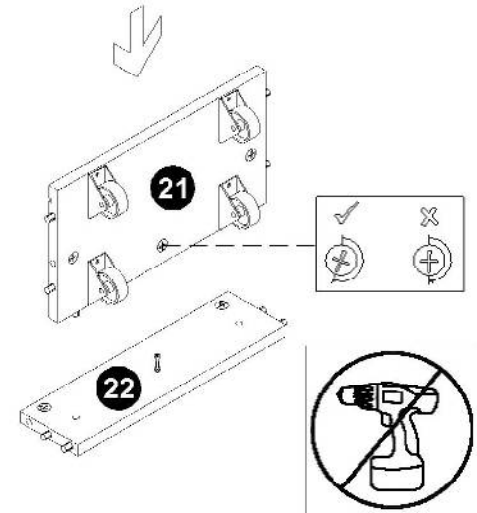
H x 8



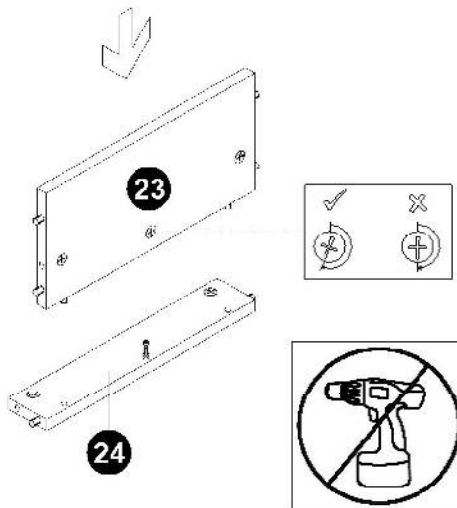
K x 4



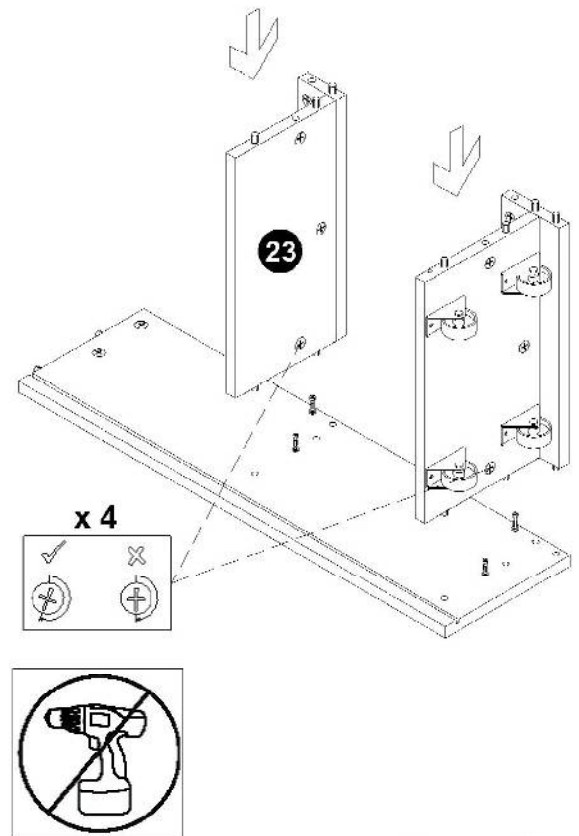
78



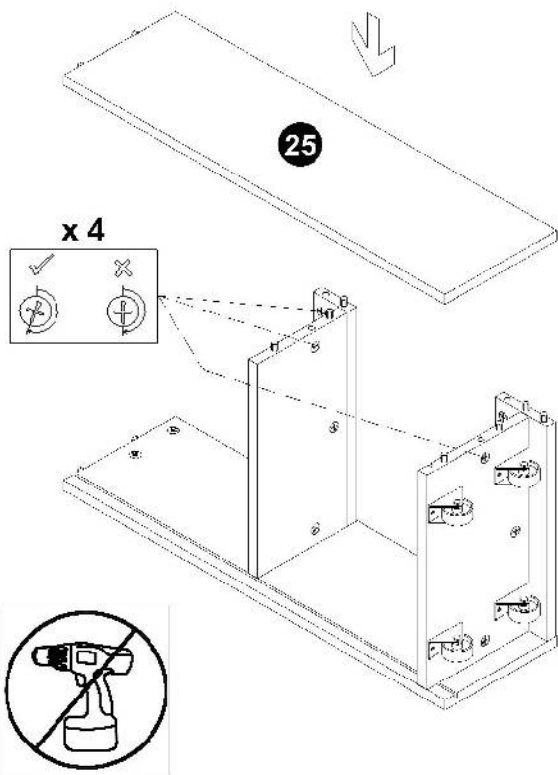
79



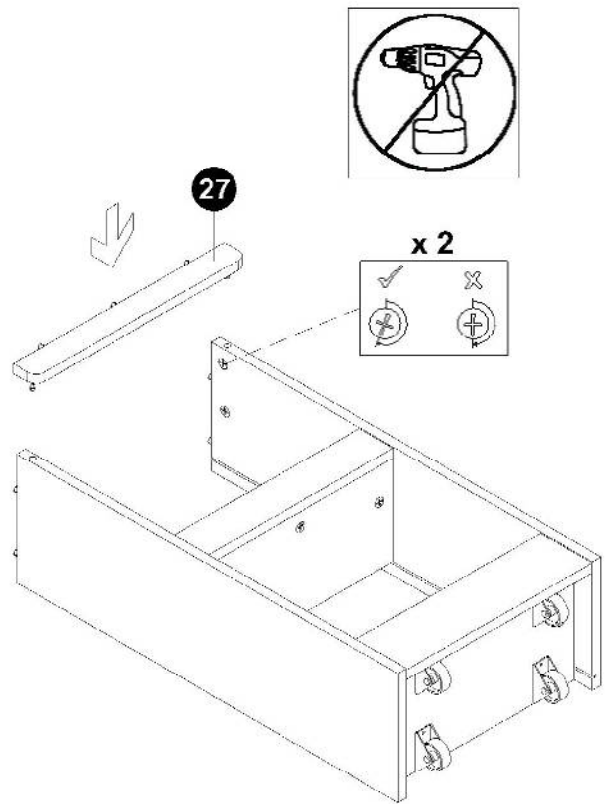
80



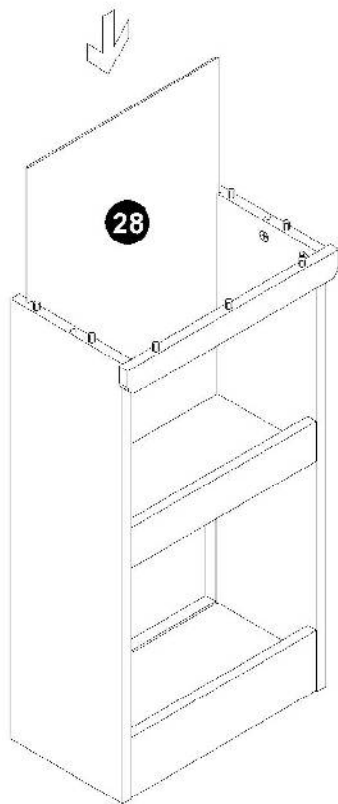
81



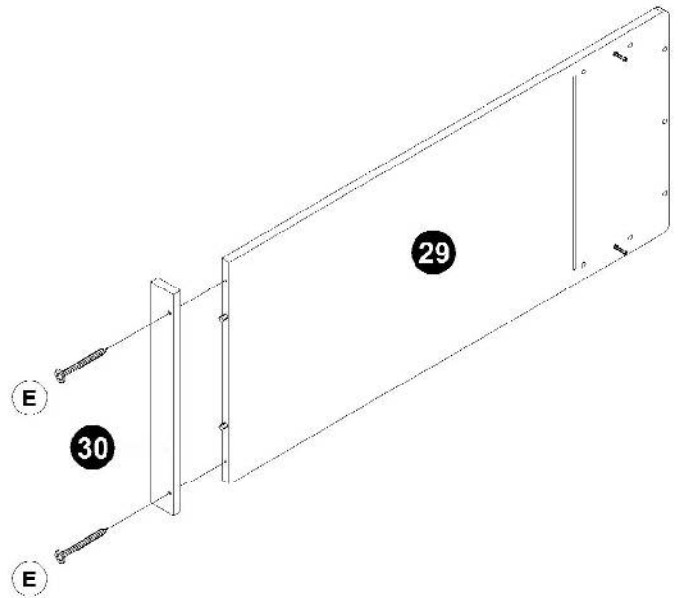
82



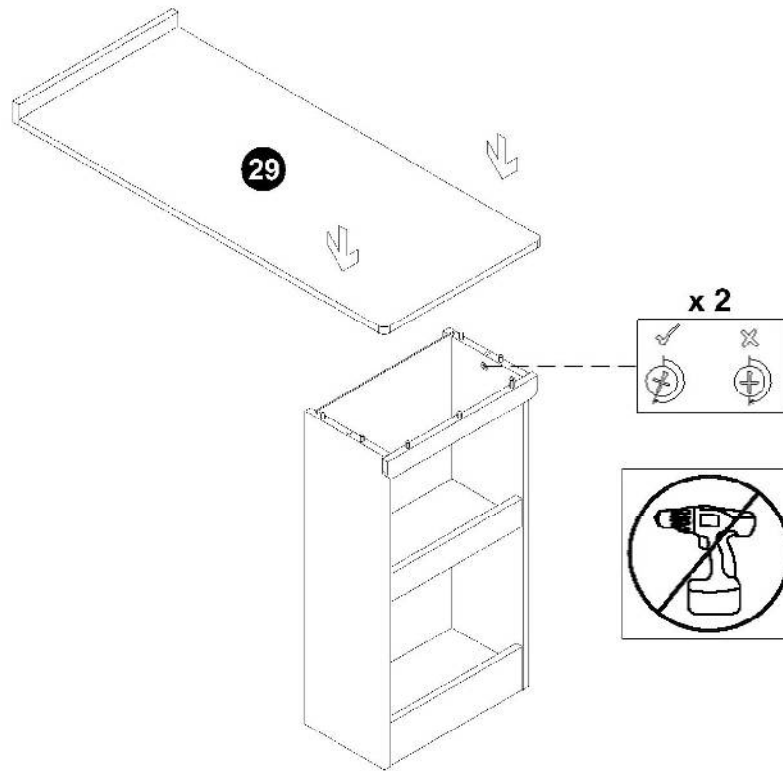
83



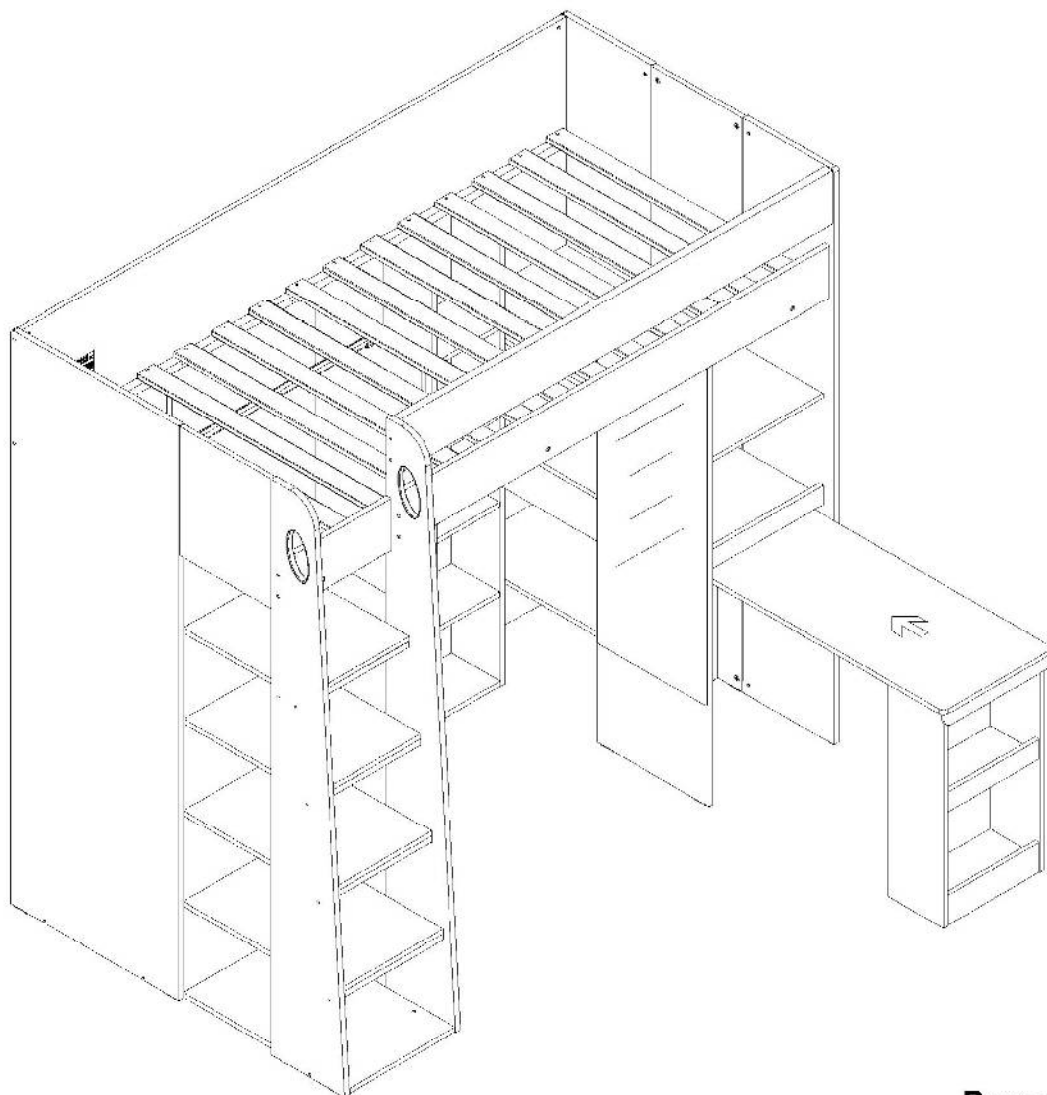
84



85



86



# **General Care**

Wipe clean with a slightly damp soft cloth.

Avoid the use of all household cleaners and abrasives.

When moving your furniture, carefully lift into place. Never drag or push the pieces across the floor as this will cause damage to the joints and could result in failure to the product that will invalidate the warranty.

# **Recommendations**

Periodical re-tightening of fixings.

# **Warning**

This unit is heavy. Please use an assistant when lifting.

# **Notes**

We've tried to make this piece of furniture as easy to assemble as possible. In the unlikely event that you have problems putting it together or have damaged or missing pieces, please contact our customer services on 01623 727374