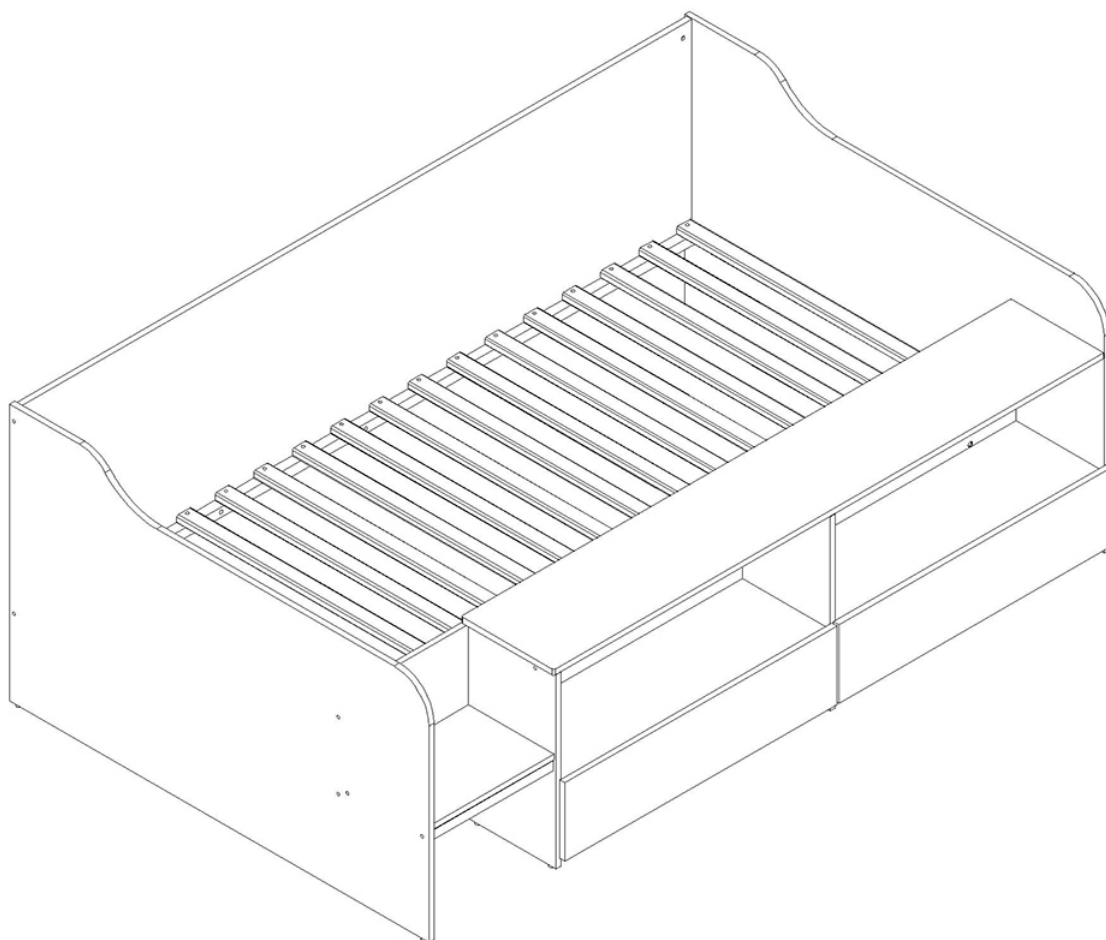
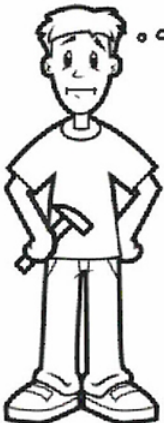
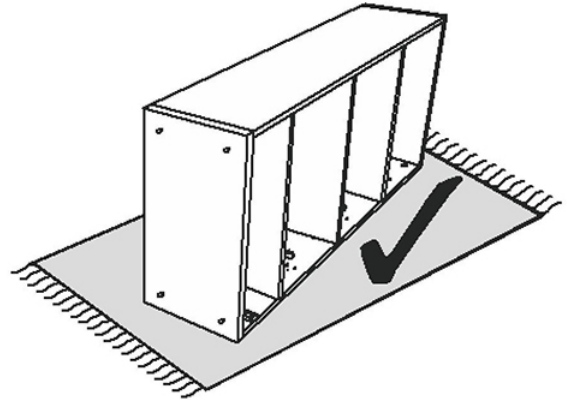
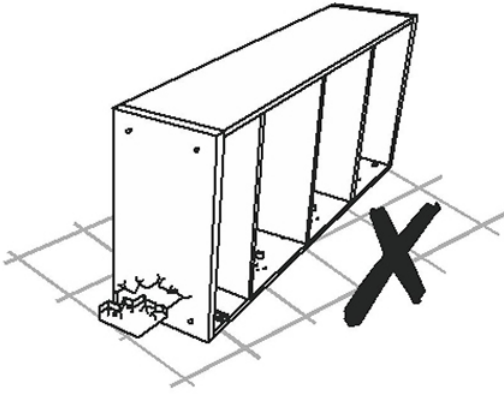
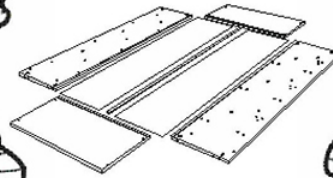
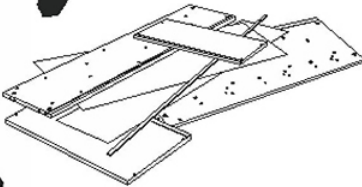
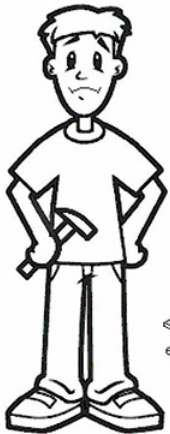
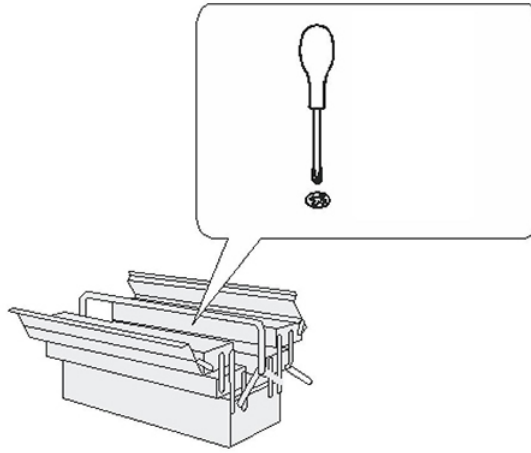
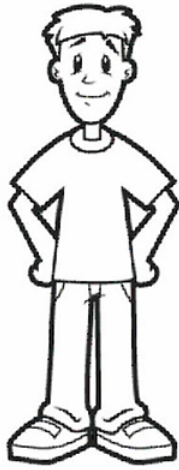


Julian Bowen Limited

Stella Low Sleeper Assembly Instructions





Julian Bowen Limited
(01623 727374)

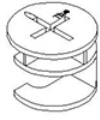
HARDWARE

A



Cam Stud
29PCS

B



Cam
29PCS

C



M8 x 25mm
56PCS

D



M4 x 45mm
18PCS

E



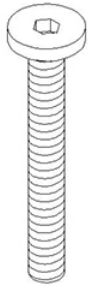
M3.5 x 14mm
16PCS

G



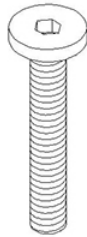
M6 x 15mm
8PCS

H



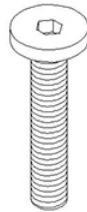
M6 x 50mm
8PCS

J



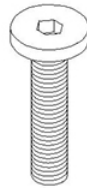
M6 x 40mm
6PCS

K



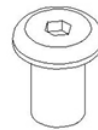
M6 x 35mm
8PCS

L



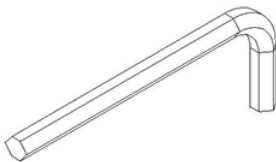
M6 x 30mm
38PCS

M



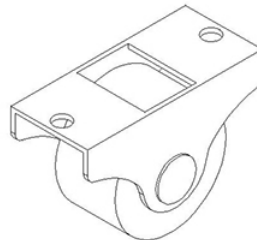
M6
5PCS

N



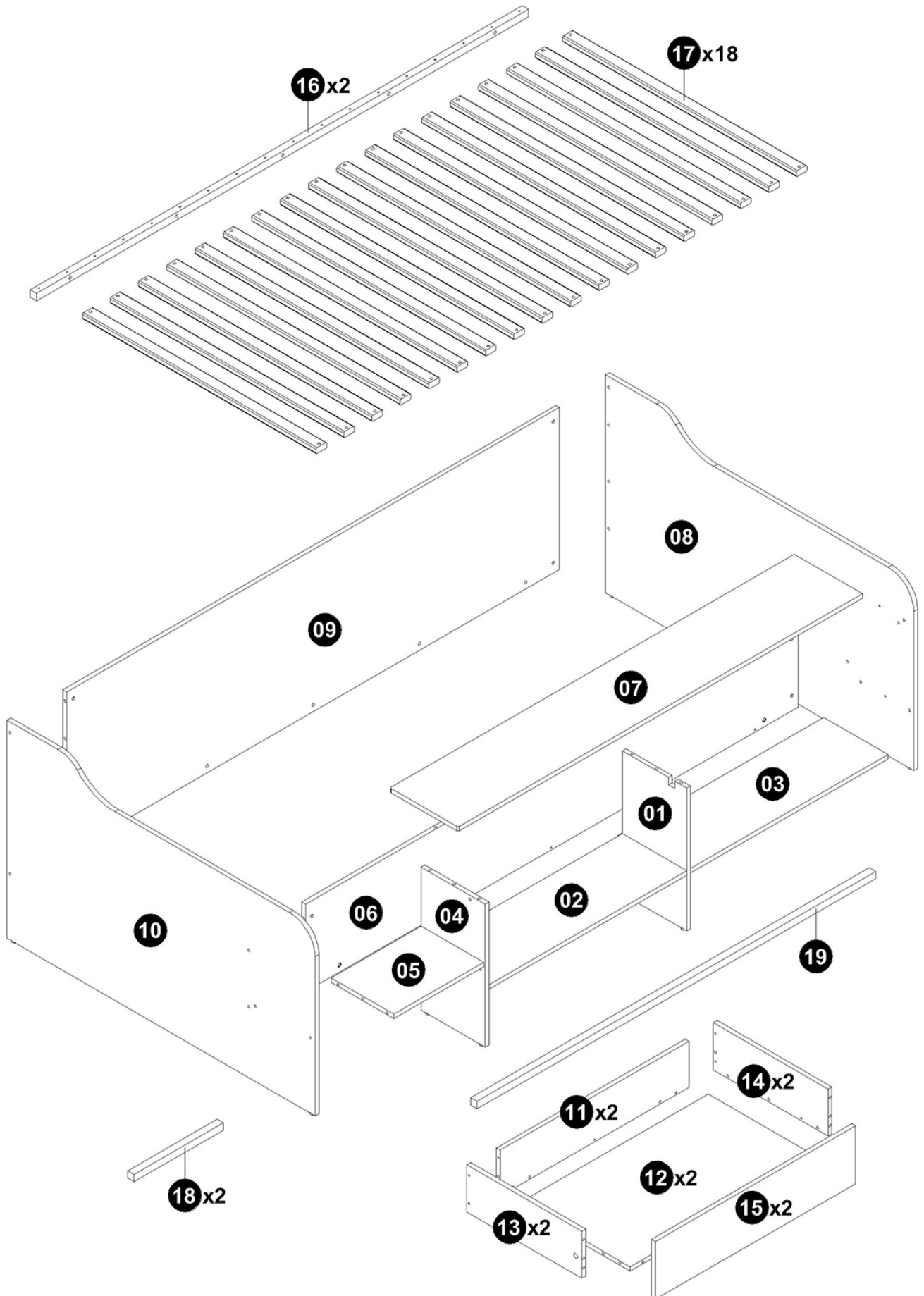
M4
2PCS

F



Small Caster
8PCS

PARTS



IMPORTANT INFORMATION

WARNING: This bed is not suitable for children under 4 years.

WARNING: Do not place this child's bed near heat sources, windows and other furniture.

WARNING: Do not use this Child's Bed if any part is broken, torn or missing.

It is recommended that you always follow the manufacturer's instructions to assemble this product.

This product is intended for use by children over 4 years of age.

Children are likely to play, bounce, jump and climb on beds, therefore the child's bed should not be placed too close to other furniture or windows, blind cords, curtain pulls or other strings or cords and should be placed either tight to the wall or have a gap of 300mm between the wall and side of bed.

This bed may be dismantled for storage or transportation but checks must be made to ensure parts are not damaged before re-assembling. Replacement parts can be obtained from Julian Bowen Limited where available and at an additional cost.

Recommended Mattress Size: 90cm x 190cm (UK Single) with a depth of no more than 23cm.

It is necessary to frequently ventilate the room in order to keep the humidity low and to prevent mould in and around the bed.

Please periodically check all the fixings of the item and re-tighten when necessary.

This item conforms to British Safety Standards – BS8509:2008 + A1:2011

Safety Advice

Please take the time to carefully read through the whole of these instructions before you commence.

Keep these instructions for future reference.

Unpack, inspect and check off all of the contents.

Please dispose of all packaging safely.

Small component parts could choke a child if swallowed.

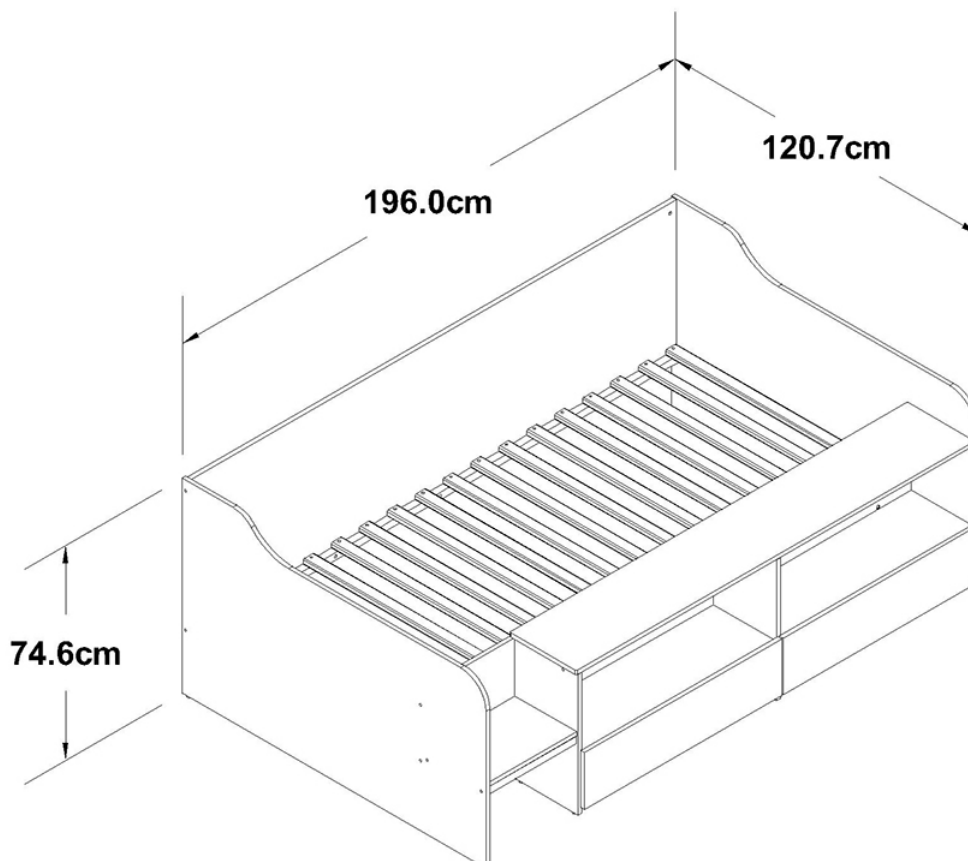
We strongly recommend that you keep children well away from the work area.

It would be sensible to lay a sheet or blanket on the floor where you intend to work to avoid scratching this product and to protect your floor.

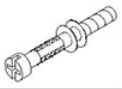
This product is heavy. Take extreme care when lifting to avoid personal injury or damage to the product.

Assemble the product as close to its intended final position in the room as possible.

HANDY HINT: If you keep the hardware in a bowl during assembly you will be less likely to lose them.



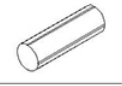
1



A x 8



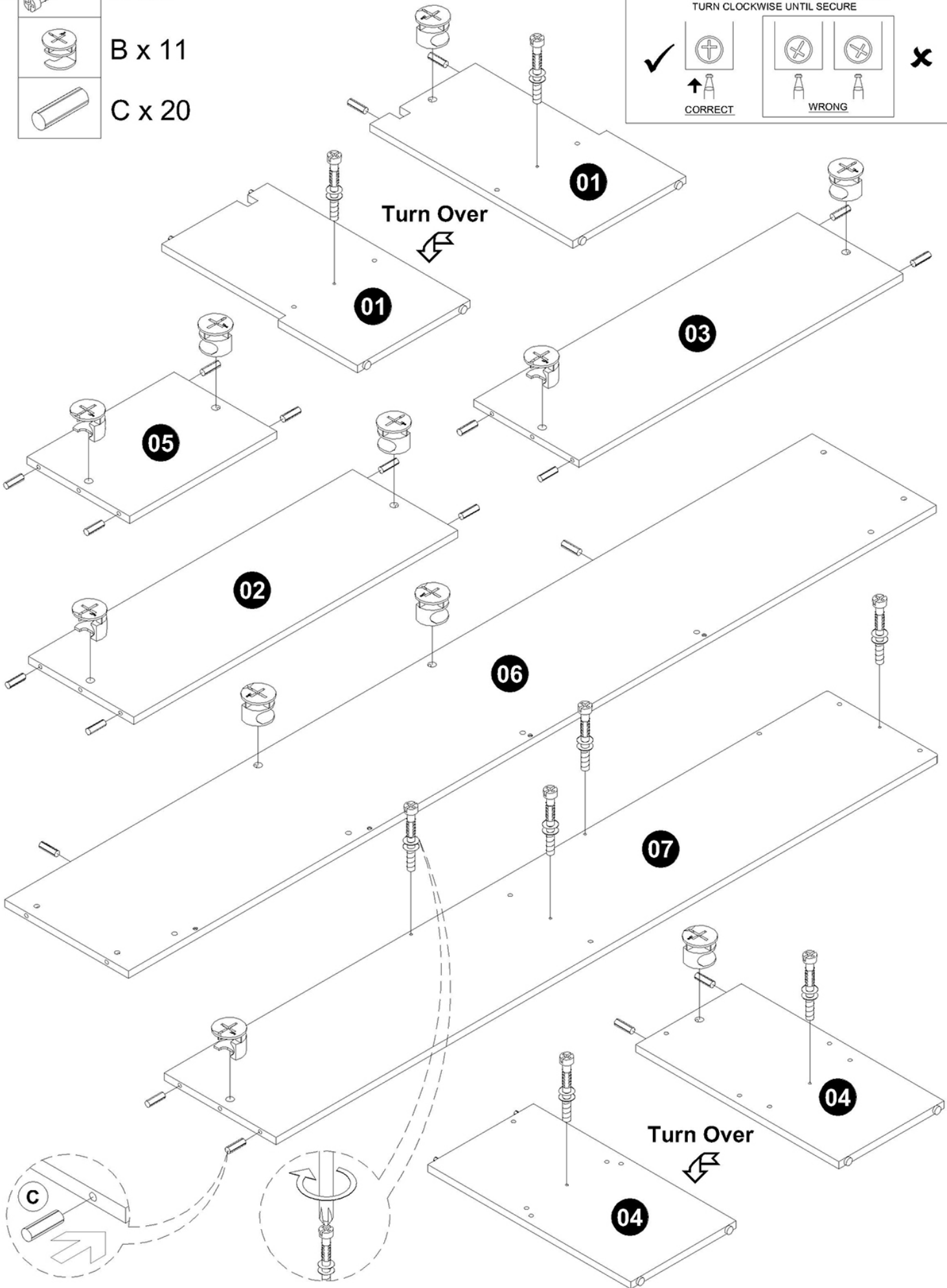
B x 11



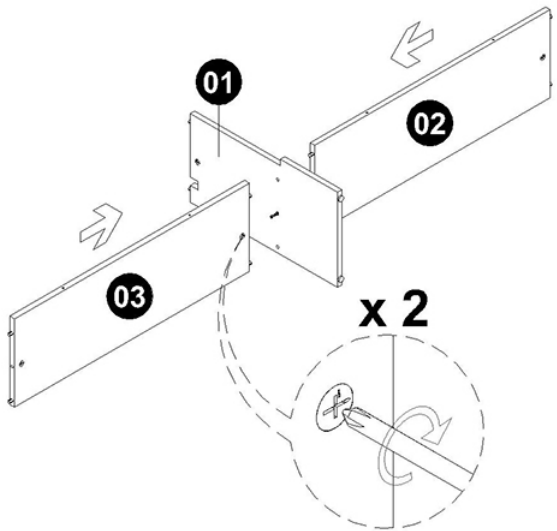
C x 20

WHEN FITTING CAMS
 ENSURE STARTING POSITION IS CORRECT
 BEFORE YOU INSERT CONNECTING BOLT
 TURN CLOCKWISE UNTIL SECURE

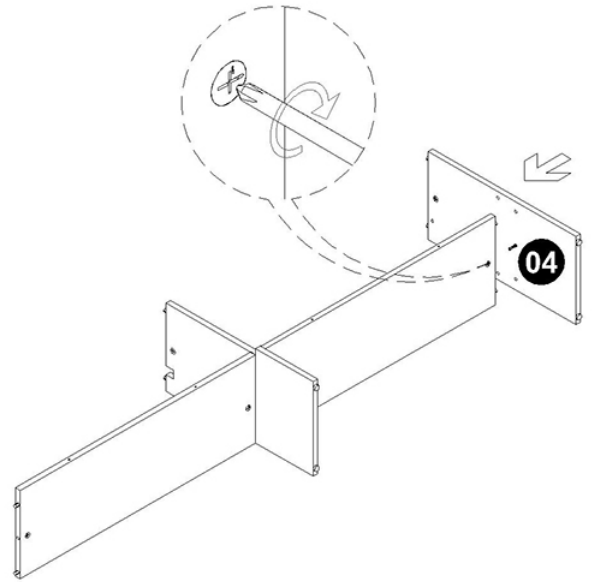
✓ X
 ↑ CORRECT WRONG



2



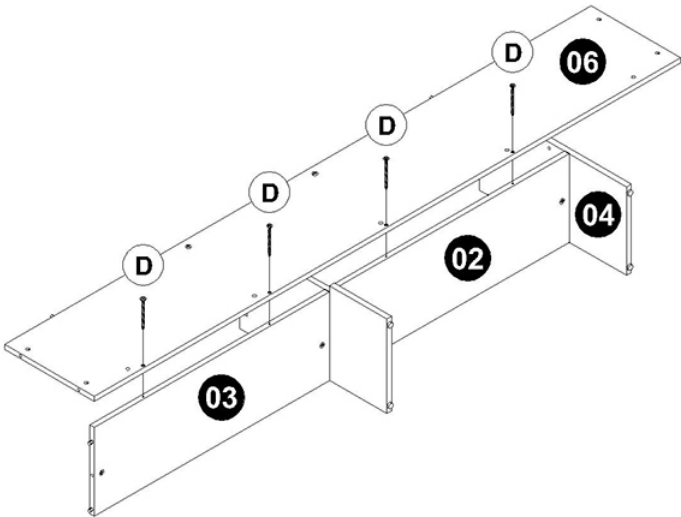
3



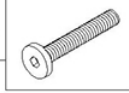
4



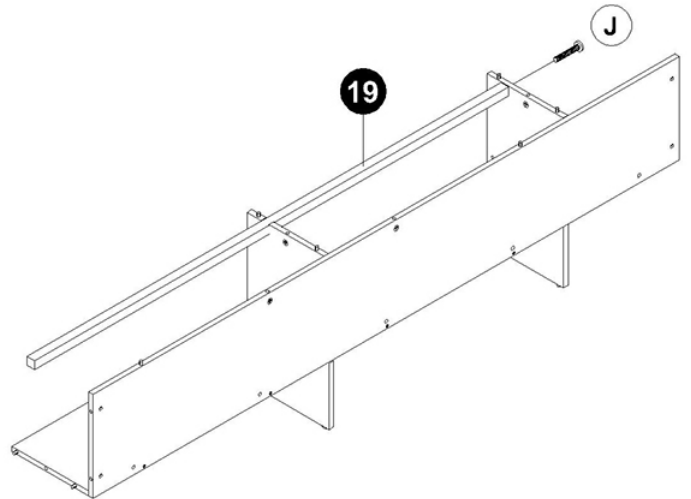
D x 4



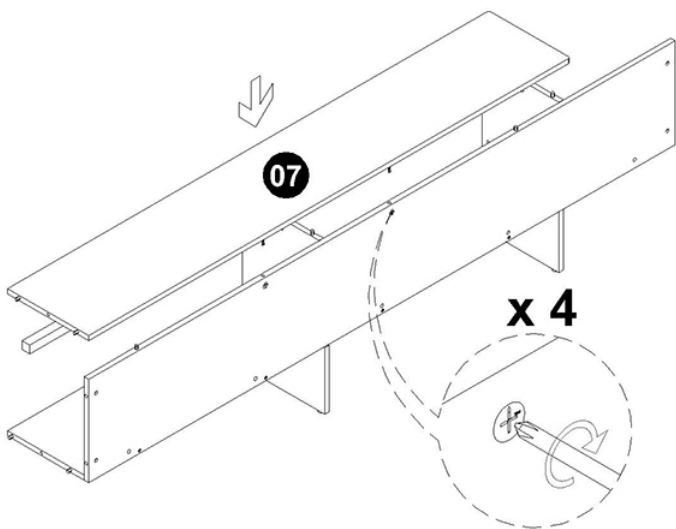
5



J x 1



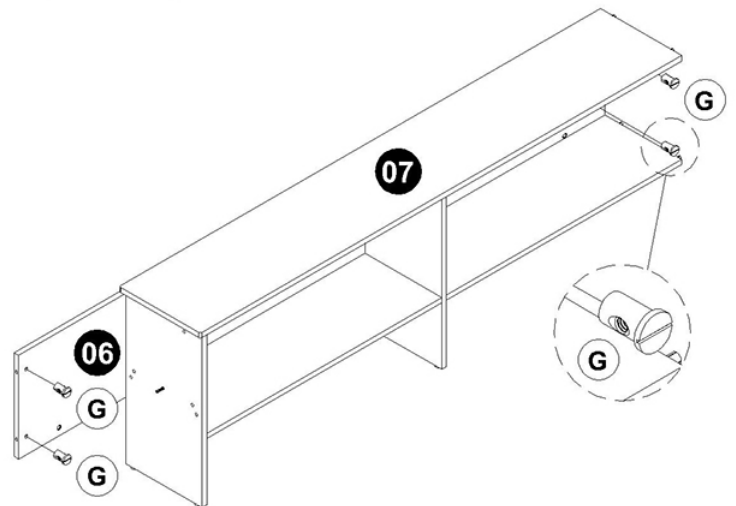
6



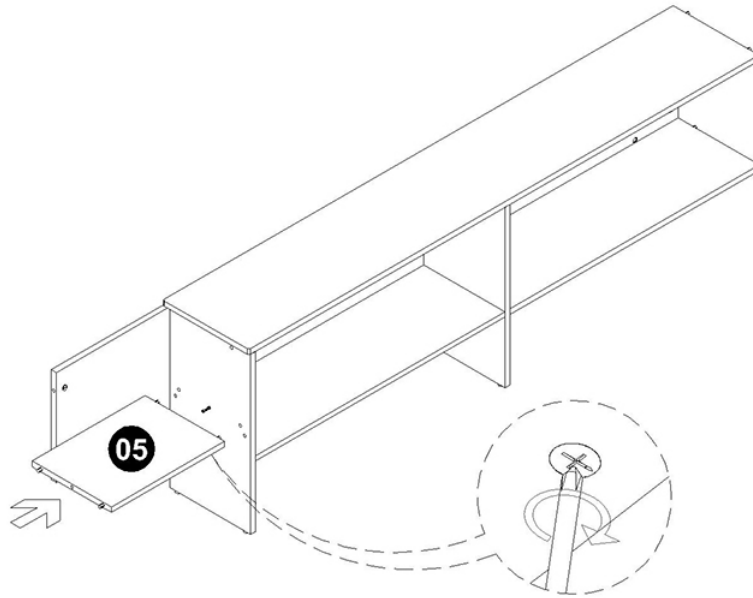
7



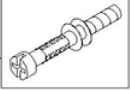
G x 4



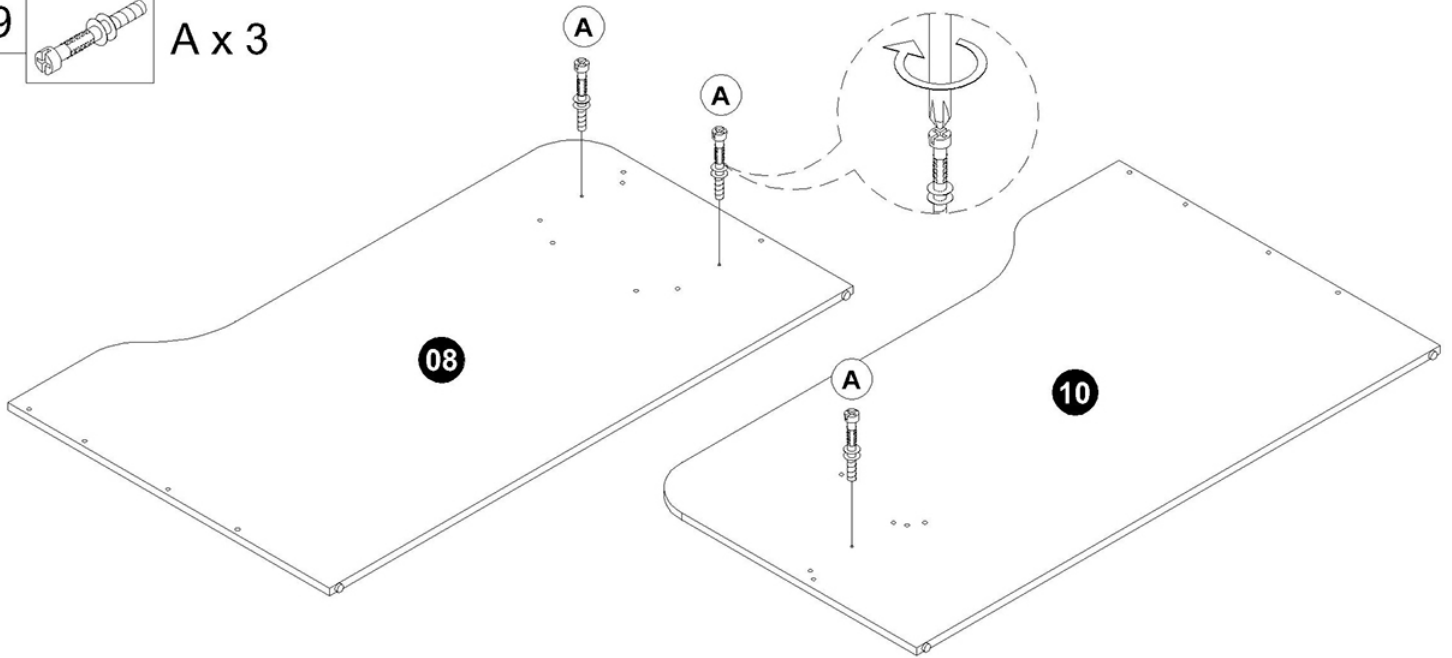
8



9



A x 3



10



C x 4



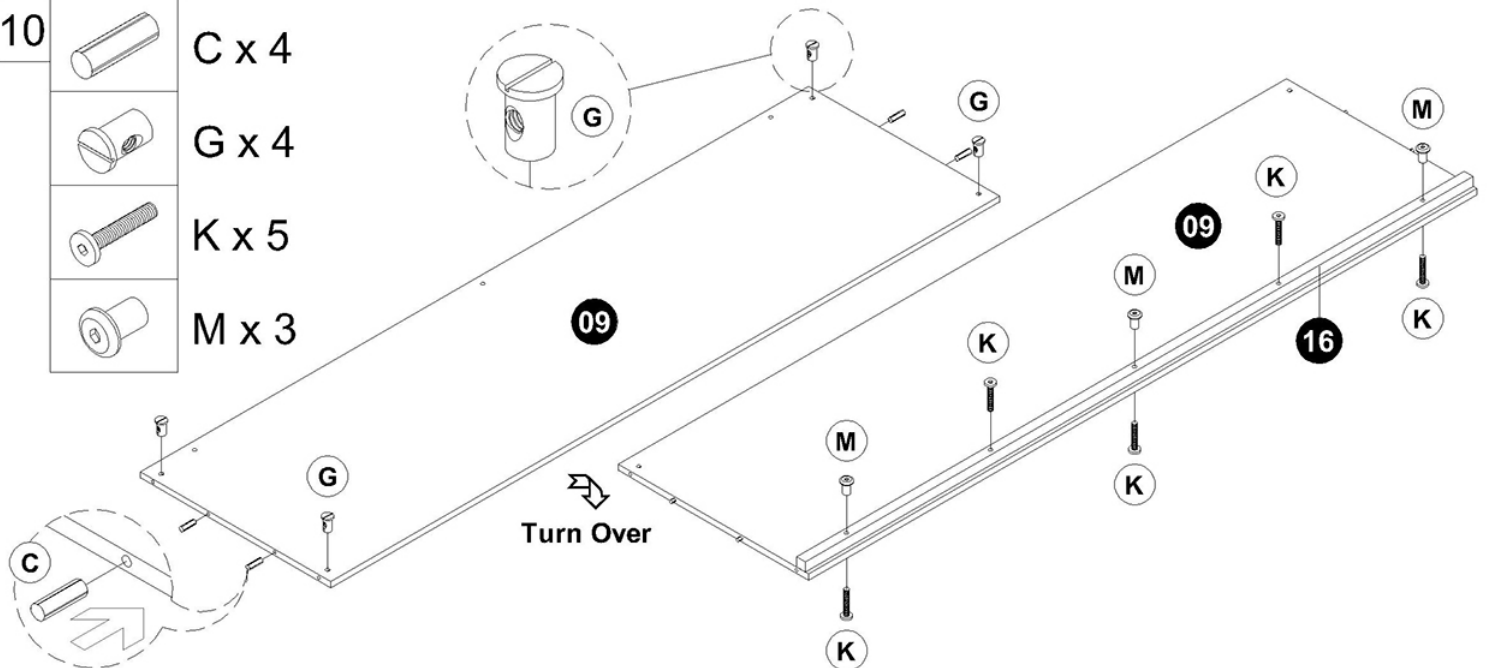
G x 4



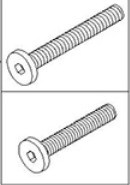
K x 5



M x 3

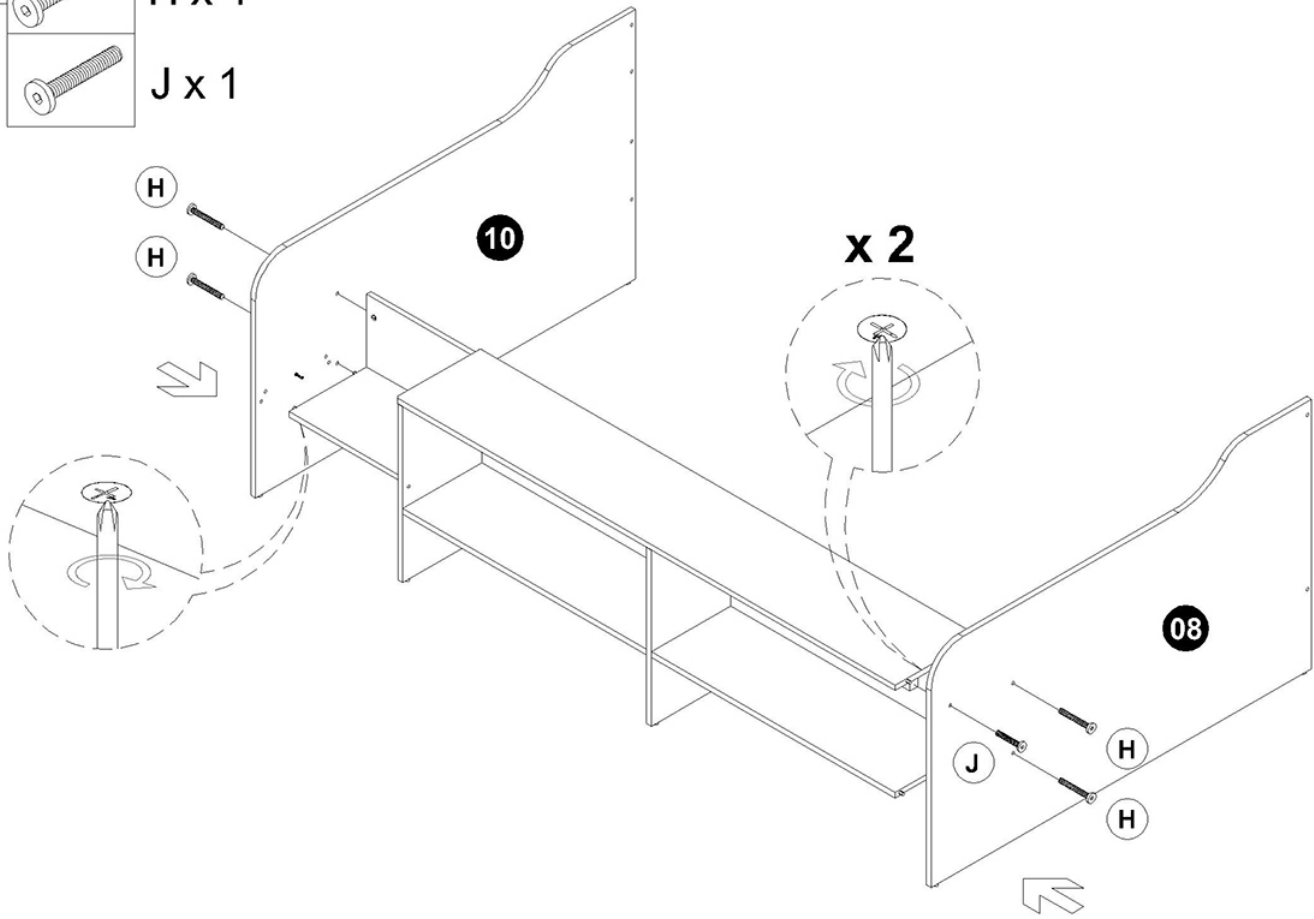


11

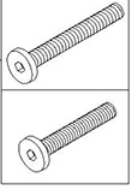


H x 4

J x 1

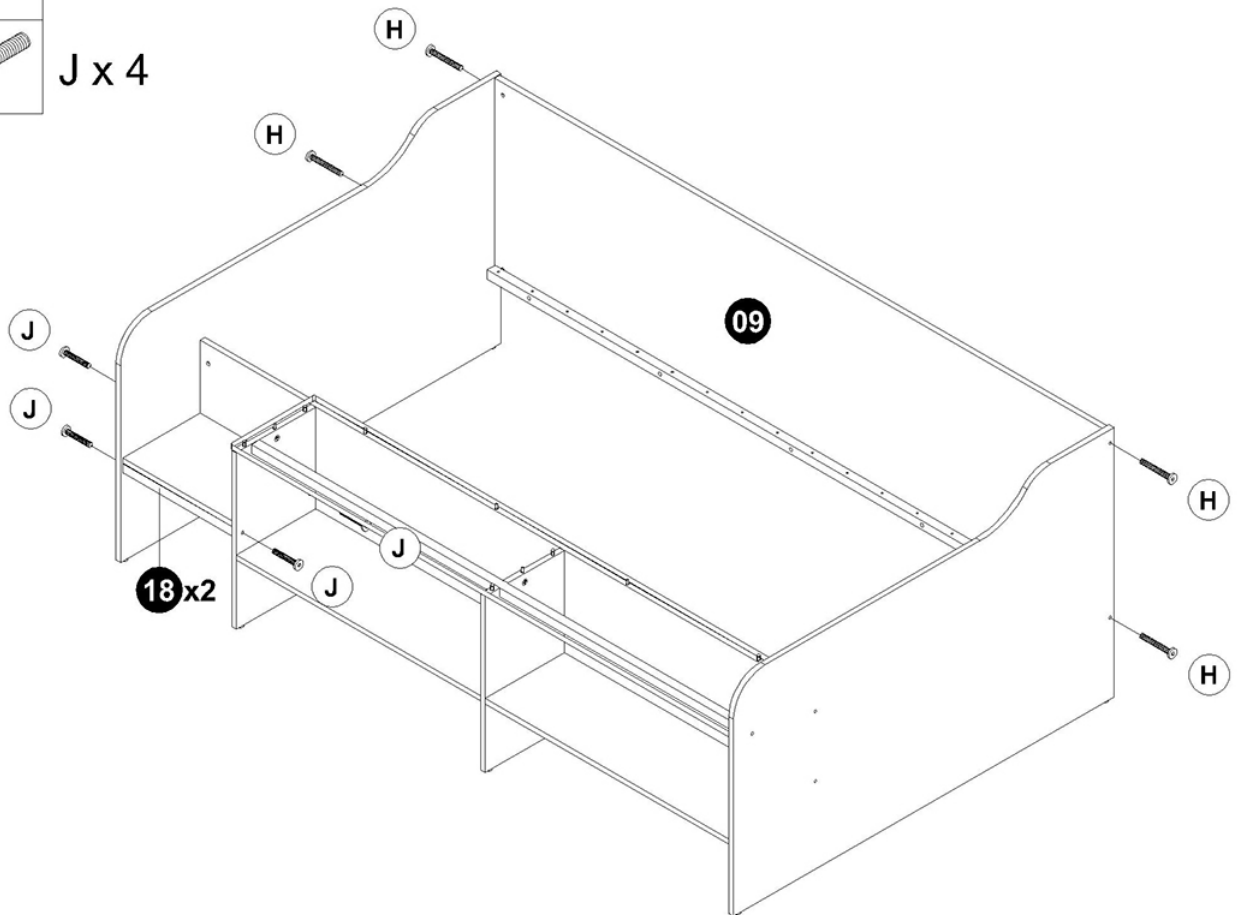


12



H x 4

J x 4



13



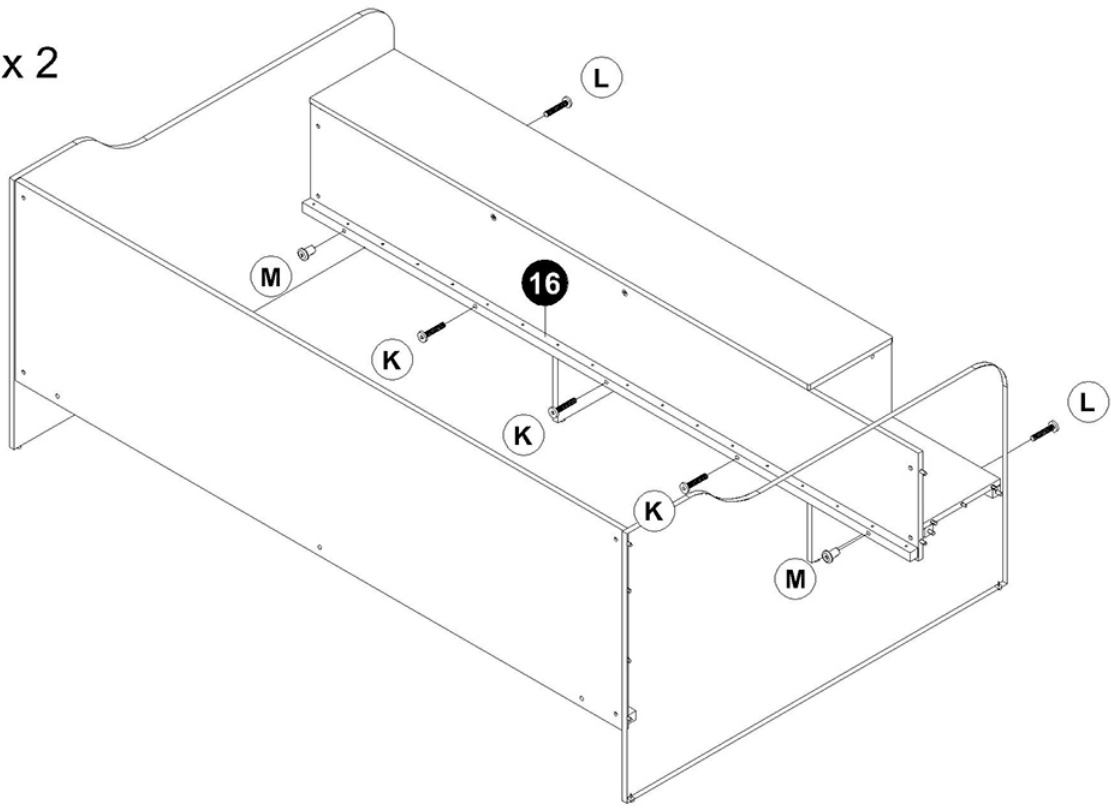
K x 3



L x 2



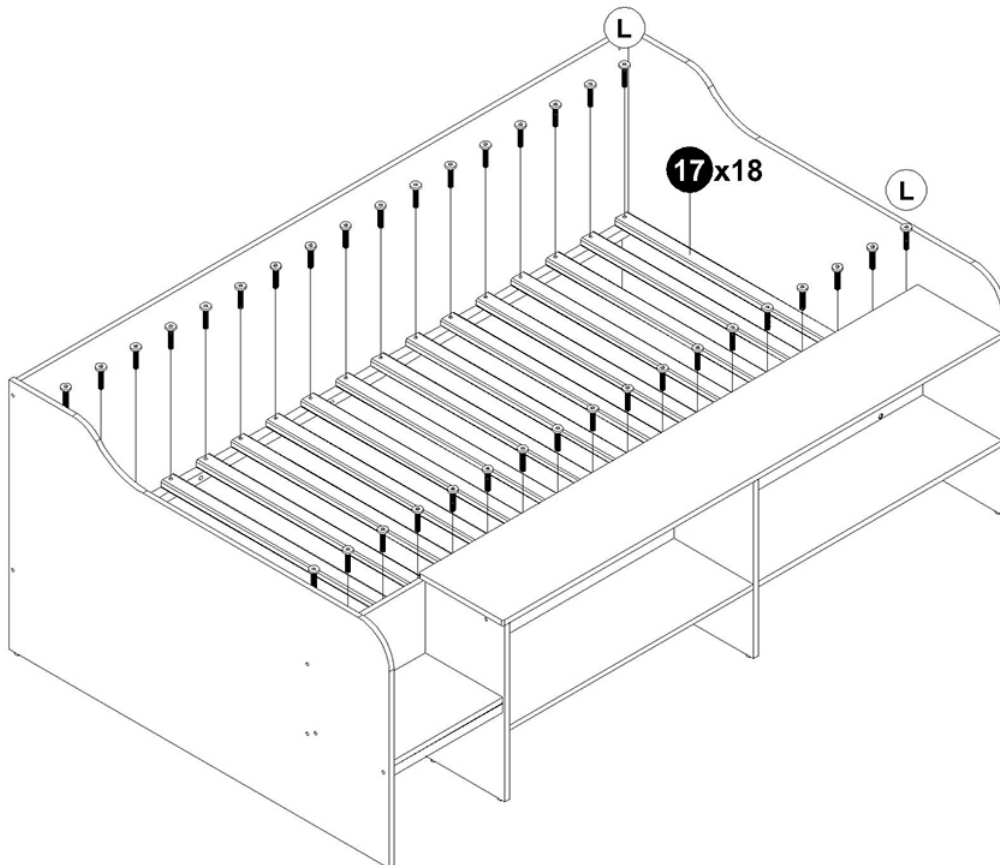
M x 2



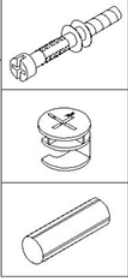
14



L x 36



15



A x 18

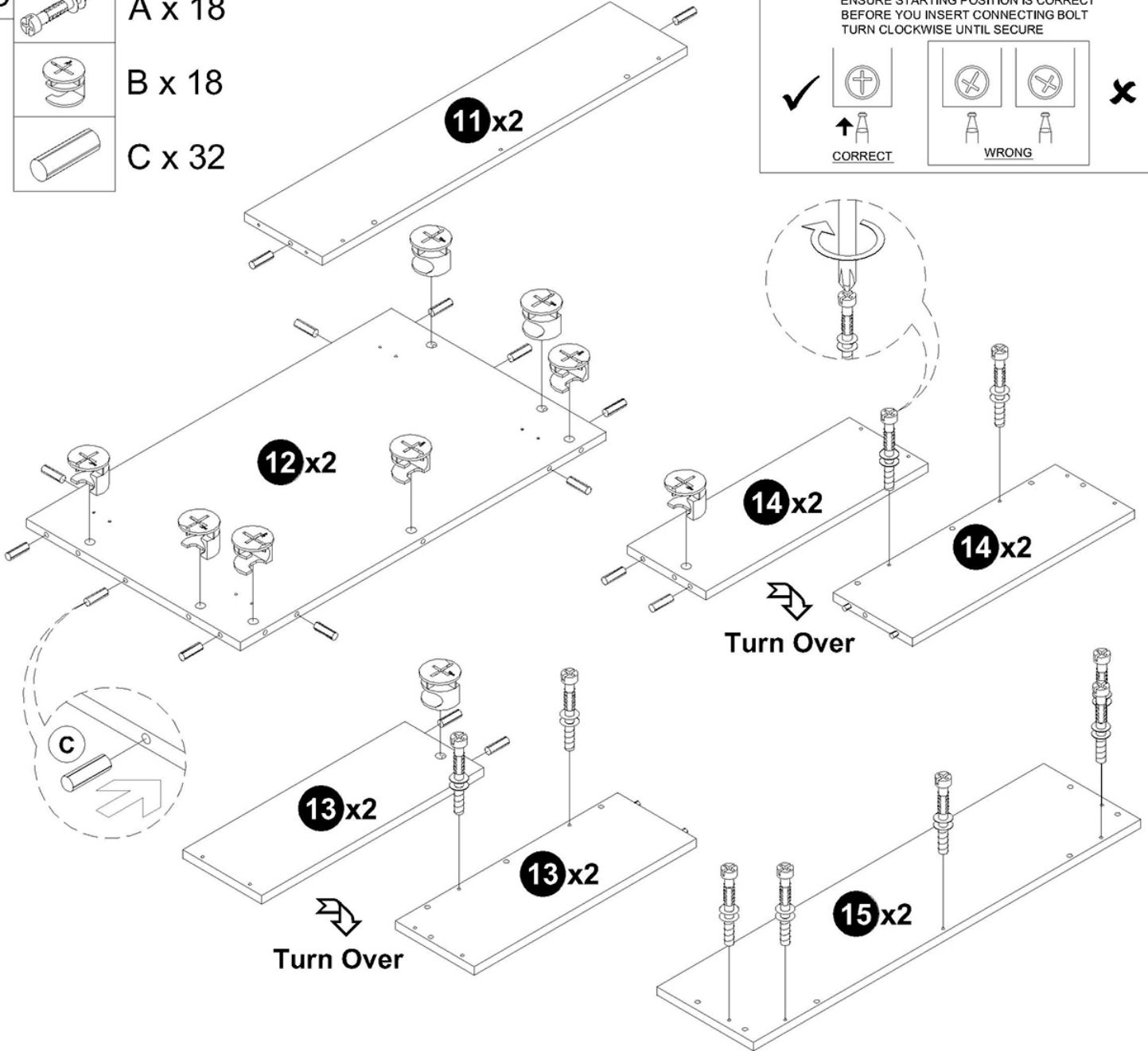
B x 18

C x 32

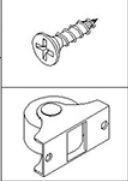
WHEN FITTING CAMS
ENSURE STARTING POSITION IS CORRECT
BEFORE YOU INSERT CONNECTING BOLT
TURN CLOCKWISE UNTIL SECURE

✓ CORRECT

✗ WRONG

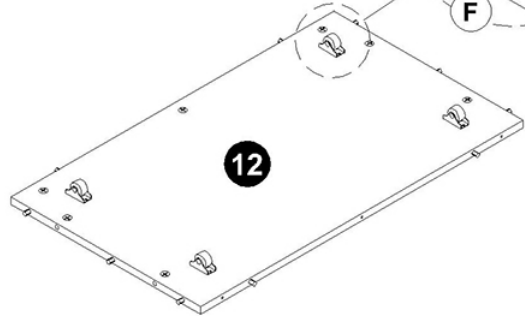
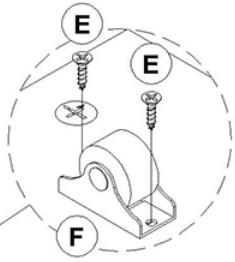


16



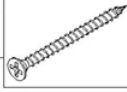
E x 16

F x 8

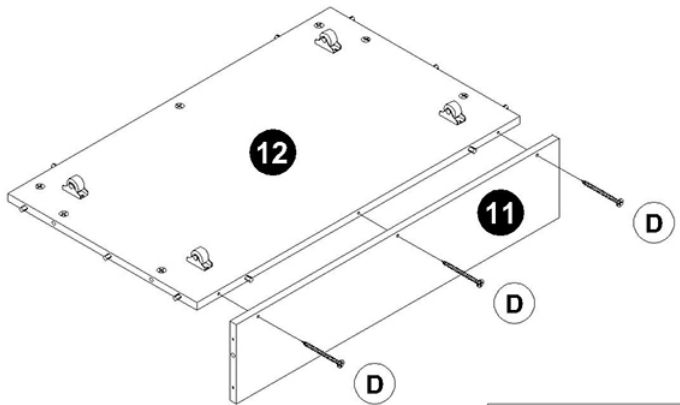


X2

17



D x 6

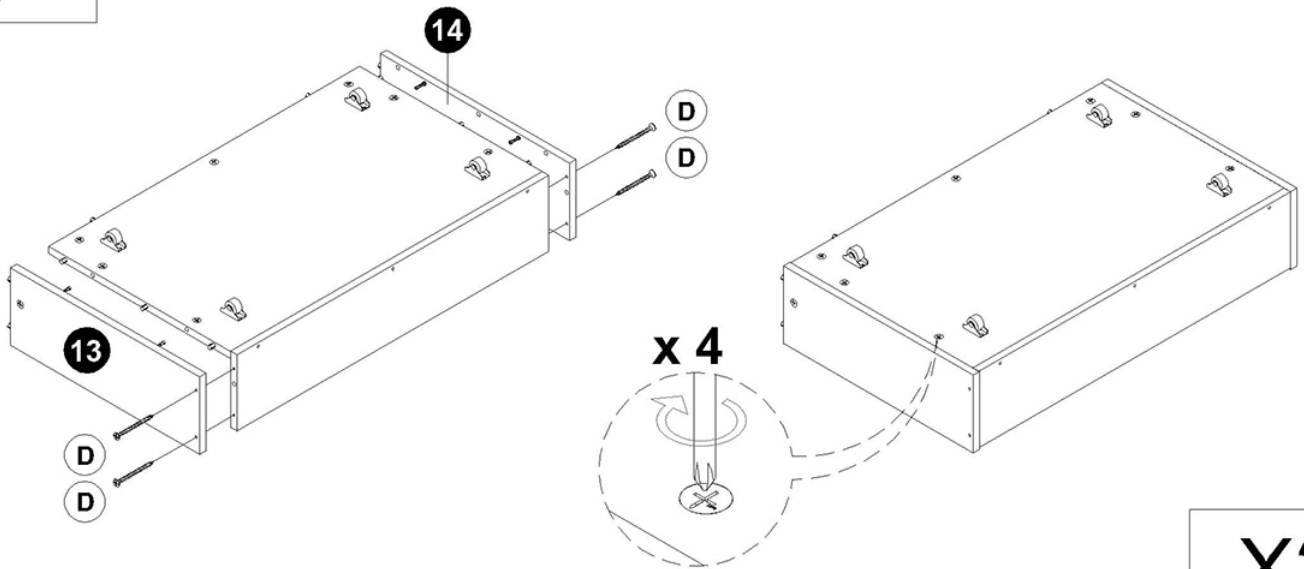


X2

18

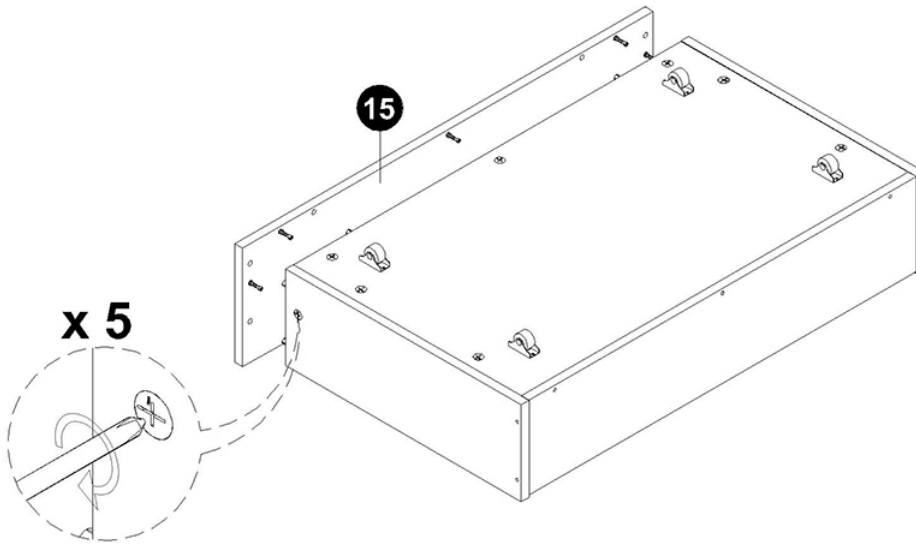


D x 8



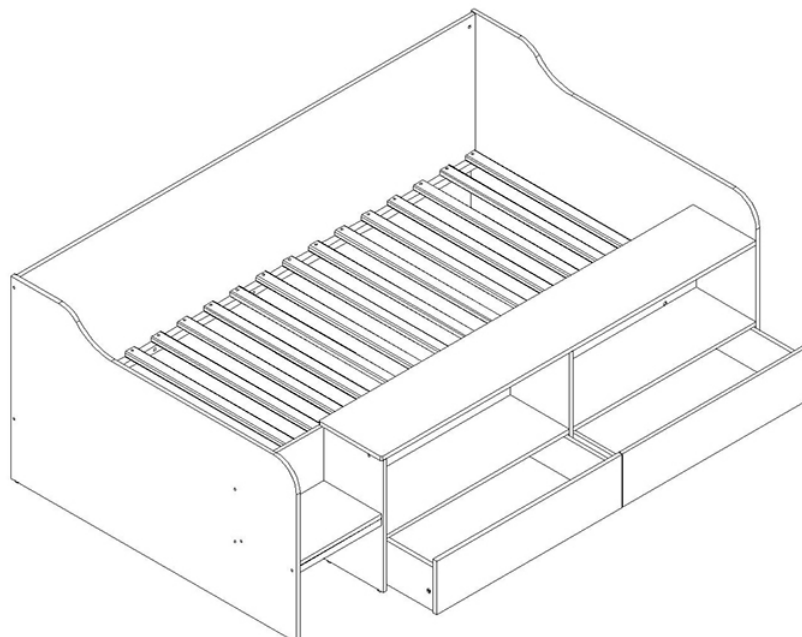
X2

19



X2

20



General Care

Wipe clean with a slightly damp soft cloth.

Avoid the use of all household cleaners and abrasives.

When moving your furniture, carefully lift into place. Never drag or push the pieces across the floor as this will cause damage to the joints and could result in failure to the product that will invalidate the warranty.

Recommendations

Periodical re-tightening of fixings.

Warning

This unit is heavy. Please use an assistant when lifting.

Notes

We've tried to make this piece of furniture as easy to assemble as possible. In the unlikely event that you have problems putting it together or have damaged or missing pieces, please contact our customer services on 01623 727374

Julian Bowen Limited

Bentick House, Park Lane Business Park, Kirkby-in-Ashfield, Notts, NG17 9LE

www.julian-bowen.co.uk